

**SUBMITTAL TO THE BOARD OF SUPERVISORS
COUNTY OF RIVERSIDE, STATE OF CALIFORNIA**

513B



FROM: TLMA - Transportation Dept.

SUBMITTAL DATE: July 9, 2007

SUBJECT: Accepting an unnamed road easement for public road and utility purposes, in the Temecula area, Third Supervisorial District.

RECOMMENDED MOTION: Adopt Resolution No. 2007-332, accepting an unnamed road easement for public road and utility purposes, but not into the County Maintained Road System.

BACKGROUND: The applicant for Tract Map 30611 has requested the acceptance of this road easement in order to have sufficient accepted public right of way to install the road improvements as required by the conditions of approval of the map.

FORM APPROVED
COUNTY COUNSEL

JUN 25 2007

BY Gordon V. Woo
GORDON V. WOO

Juan C. Perez
Deputy Director of Transportation

[Signature] JW

AM

Attachments: Resolution No. 2007-332
Exhibits "A"

George A. Johnson
Director of Transportation

REVIEWED BY EXECUTIVE OFFICE

DATE 7-05-07 Alex Han

Dep't Recomm.: Consent Policy
Per Exec. Ofc.: Consent Policy

Prev. Agn. Ref.:

District: 3

Agenda Number:

2.14

2
3 **RESOLUTION NO 2007-332**

4
5 ACCEPTING AN UNNAMED ROAD EASEMENT, IN THE TEMECULA AREA, FOR
6 PUBLIC USE.

7
8 (Third Supervisorial District)

9
10 **WHEREAS**, the hereinafter described unnamed road easement is offered for
11 dedication for road and public utility purposes per Instrument No. hereinafter-referred to,
12 which offer of dedication has not been previously accepted for public use by the County of
13 Riverside, now, therefore;

14
15 **BE IT RESOLVED, DETERMINED AND ORDERED** by the Board of Supervisors of
16 the County of Riverside, State of California, in regular session assembled on July 17 ,
17 2007, that this Board accepts the offer of dedication and recognizes that said road is public
18 road open for use by the general public;

19
20 **BE IT FURTHER RESOLVED, DETERMINED, AND ORDERED** that this acceptance
21 is for the purpose of vesting title in the County of Riverside on behalf of the public for public
22 roads and utility uses, and is not an acceptance of the road into the County Maintained Road
23 System pursuant to Section 941 of the Streets and Highways Code and that said road will not
24 become part of the County Maintained Road System unless subsequently accepted into said
25 Maintained Road System by a resolution adopted by this Board;

1 **Resolution No. 2007-332**

2
3 Said road is in the County of Riverside, State of California, and is described as follows:

4
5 **Unnamed Road Easement** (See Exhibit "A")

6 That portion of unnamed road easement (60.00 feet wide) per Instrument No. 255299
7 Recorded on November 13, 1985, Official Records of Riverside County, California.

8
9 **BE IT FURTHER RESOLVED** that the Clerk of the Board shall cause a certified copy of this
10 resolution to be recorded in the Office of the County Recorder of Riverside County, California.

11
12
13
14
15
16
17
18
19
20
21
22
23 AM

24 W.O. No. SUR 1020 (TR 30611)

FORM APPROVED
COUNTY COUNSEL

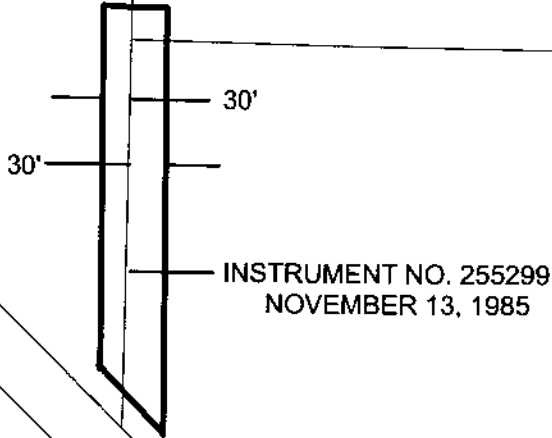
JUN 25 2007

26 BY Gordon V. Webb

EXHIBIT "A"

PARCEL 1

PARCEL 2



PARCEL 3



NOT TO SCALE
SECTION 35
T7S, R1W

PM 132/1-8

PARCEL 3

PM 172/63-64

PARCEL 4

DENISE ROAD

LA BONITA

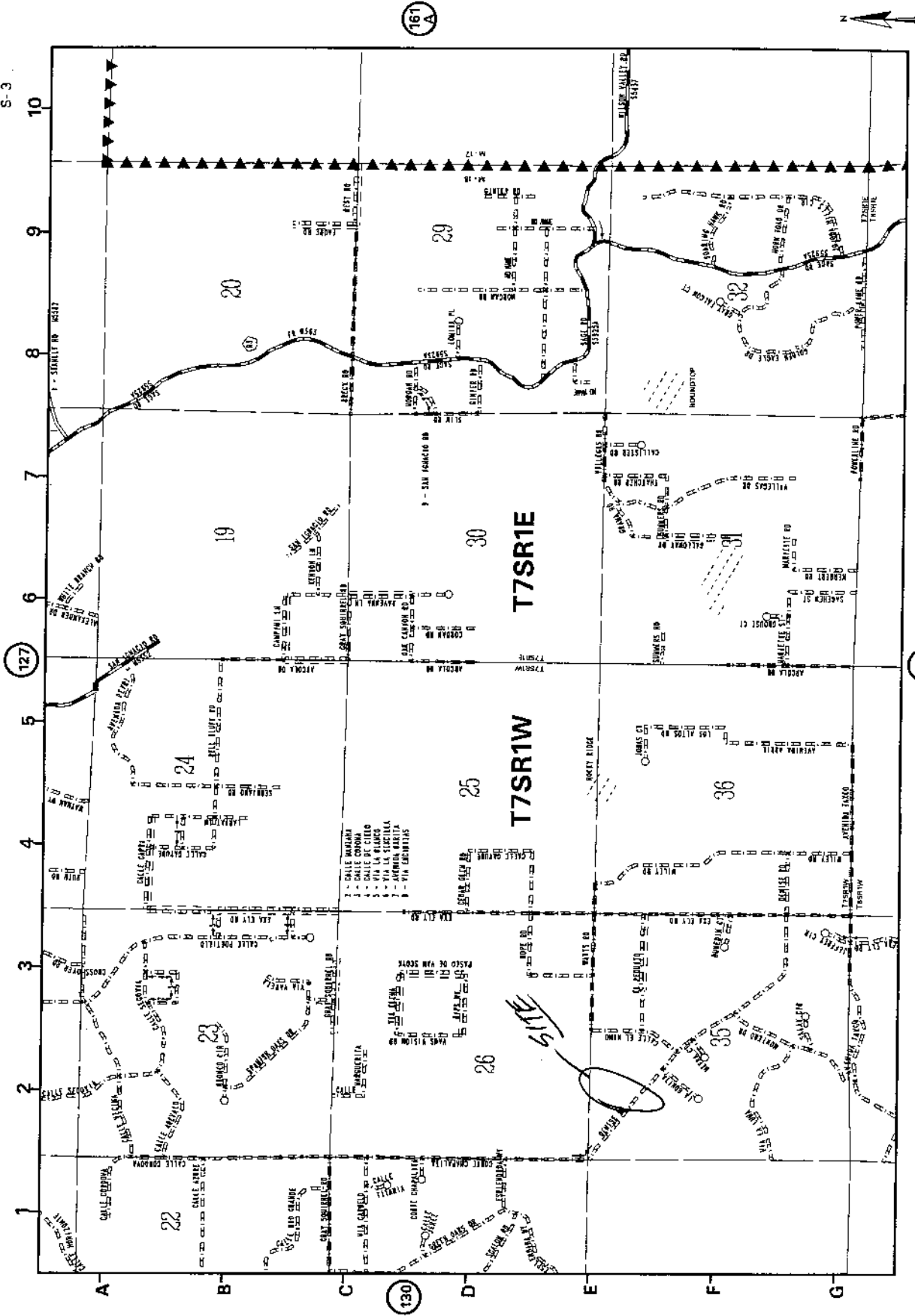
TR 30611

CALLE EL NINO

PARCEL 26

SEC 35, T7S R1W

COUNTY OF RIVERSIDE TRANSPORTATION DEPARTMENT, SURVEY DIVISION		PAGE 1 OF 1
PROJECT: ACCEPTING AN UNNAMED ROAD EASEMENT FOR PUBLIC USE		PREPARED BY: AM
THIS PLAT IS AN AID IN LOCATING THE PARCEL (S) DESCRIBED IN THE PRECEDING DOCUMENT.		DATE: 6-27-07
BY: <i>[Signature]</i>	DATE: 6-27-07	W.O. NO.: SU 1020



127

136

161
A

130