

**SUBMITTAL TO THE BOARD OF SUPERVISORS  
COUNTY OF RIVERSIDE, STATE OF CALIFORNIA**

102 B



**FROM:** TLMA - Transportation Department

**SUBMITTAL DATE:**  
July 2, 2014

**SUBJECT:** Resolution 2014-031 Summarily Vacating Portions of Drainage Access Easements in the Glen Ivy Hot Springs Area; California Environmental Quality Act Exempt. 1<sup>st</sup>/1<sup>st</sup> District; [\$0]

**RECOMMENDED MOTION:** That the Board of Supervisors:

1. Find that the vacation of portions of drainage access easements in the Glen Ivy Hot Springs area is categorically exempt from the California Environmental Quality Act (CEQA) pursuant to Sections 15301 and 15061 (b)(3) of the State CEQA Guidelines; and
2. Adopt Resolution No. 2014-031, Summarily Vacating Portions of Drainage Access Easements in the Glen Ivy Hot Springs Area; and
3. Direct the Clerk of the Board to deliver the Notice of Exemption to the Office of the County Clerk for filing within five (5) working days of this Board of Supervisors hearing.

**BACKGROUND:**

**Summary**

The applicant, Woodside 05S, Limited Partnership has requested that portions of the existing drainage access easements shown on Tract Map 31908-1 and Document Number 2012-0020995, recorded January 18, 2012, be vacated. These portions of the existing drainage access easements are not necessary and are excess rights-of-way as a result of the dedication of new drainage access easements by Document Numbers 2013-0583139 and 2013-0583140, both recorded December 17, 2013. As determined in the attached Notice of Exemption, the vacation is exempt from the provisions of CEQA pursuant to Categorical Exemptions 15301 and 15061 (b)(3) of the State CEQA Guidelines. The vacation will not result in any specific or general exceptions to the use of the categorical exemption and will not cause any direct or indirect physical environmental impacts.

  
Patricia Romo

Juan C. Perez, Director of Transportation and Land Management      Patricia Romo, Assistant Director of Transportation

MSH

Attachments: Resolution No. 2014-031, Exhibits "A," "B," "C," and "D" and CEQA Notice of Exemption

REVIEWED BY EXECUTIVE OFFICE

DATE July 7, 2014

Tina Grande

Departmental Concurrence

- Consent
- Policy
- Consent
- Policy

Dept's Recomm.:  
Per Exec. Ofc.:

7/9/14  


2  
3 **RESOLUTION NO. 2014-031**

4 **SUMMARILY VACATING PORTIONS OF DRAINAGE ACCESS EASEMENTS**  
5 **IN THE GLEN IVY HOT SPRINGS AREA**  
6 **(AB 13007 & AB 13008)**  
7 **(First Supervisorial District)**  
8

9 **WHEREAS**, the hereinafter-described drainage access easements were dedicated  
10 to the public per Tract Map 31908-1 filed in Book 437, Pages 7 through 12, inclusive, of  
11 Maps and Document No. 2012-0020995 Recorded January 18, 2012, Official Records,  
12 Riverside County, State of California; and

13 **WHEREAS**, the hereinafter-described portions of drainage access easements are  
14 not necessary and are excess rights-of-way, and not required for public street or highway  
15 purposes; and

16 **WHEREAS**, applicable procedures pertaining to summary vacations were followed  
17 pursuant to the County's adopted Resolutions for fixing procedures to vacate and accept  
18 county highways and property offered for dedication; now, therefore,

19 **BE IT RESOLVED, DETERMINED, AND ORDERED** by the Board of Supervisors  
20 of the County of Riverside, State of California, in regular session assembled on  
21 \_\_\_\_\_, 2014, as follows:

22 Pursuant to Section 8334(a) of the Streets and Highways Code, that the  
23 hereinafter-described portions of drainage access easements are excess rights-of-  
24 way and are no longer required for public street and highway purposes and are  
25 hereby summarily vacated.

26 **SEE LEGAL DESCRIPTIONS AND PLATS ATTACHED HERETO AS EXHIBITS "A,"**  
27 **"B," "C," AND "D" AND MADE A PART HEREOF**  
28

FORM APPROVED COUNTY COUNSEL  
BY:  PATRICIA MUNROE  
DATE: 7/9/14

1  
2  
3  
4  
5  
6  
7  
8  
9  
10  
11  
12  
13  
14  
15  
16  
17  
18  
19  
20  
21  
22  
23  
24  
25  
26

**BE IT FURTHER RESOLVED, DETERMINED, AND ORDERED** that the Clerk of the Board is directed to cause a certified copy of this resolution to be recorded in the office of the Recorder of the County of Riverside, California.

MSH W.O. #s: AB 13007 and AB 13008

**EXHIBIT "A"**  
**TRACT 31908-1**  
**VACATION OF A PORTION OF A DRAINAGE ACCESS EASEMENT**  
**LEGAL DESCRIPTION**

That portion of Parcel "B" of Lot Line Adjustment No. 5220 recorded March 27, 2009 as Document No. 2009-0151236, Official Records of Riverside County, California, lying in Section 12, Township 5 South, Range 6 West, San Bernardino Meridian, described as follows:

**COMMENCING** at a point on the westerly boundary line of Tract No. 31908-1, as shown by map on file in Book 437 of Maps at pages 7 through 12, inclusive thereof, Records of Riverside County, California, said westerly boundary line also being the easterly boundary line of said Parcel "B", said point being the southwesterly end of that certain course shown as "N32°19'04"E 229.43' " on said map;

Thence North 32°19'04" East along said westerly and easterly boundary lines, a distance of 1.63 feet to the most southerly point of that certain Drainage Access Easement in favor of the County of Riverside Recorded January 18, 2012 as Instrument No. 2012-0020995, Official Records of Riverside County, California;

Thence continuing North 32°19'04" East along said boundary lines, a distance of 7.94 feet to the **TRUE POINT OF BEGINNING**;

Thence leaving said boundary lines North 39°40'41" West, a distance of 11.11 feet to a point on a line parallel with and distant northwesterly 10.56 feet, measured at a right angle, from said boundary lines;

Thence North 32°19'04" East along said parallel line, a distance of 66.07 feet;

Thence leaving said parallel line North 45°32'35" East, a distance of 24.31 feet to a point on the southeasterly line of said "Drainage Access Easement";

Thence South 32°19'04" West along said southeasterly line, a distance of 54.73 feet to an angle point thereon;

Thence South 39°40'41" East along said southeasterly line, a distance of 5.26 feet to a point on said westerly and easterly boundary lines;

Thence South 32°19'04" West along said boundary lines, a distance of 36.81 feet to the **TRUE POINT OF BEGINNING**.

**EXHIBIT "A"**  
**TRACT 31908-1**  
**VACATION OF A PORTION OF A DRAINAGE ACCESS EASEMENT**  
**LEGAL DESCRIPTION**

Containing 622 square feet, more or less.

SEE PLAT ATTACHED HERETO AS EXHIBIT "B" AND MADE A PART HEREOF.

PREPARED UNDER MY SUPERVISION



Andrew Y. Orosco, L.S. 5491

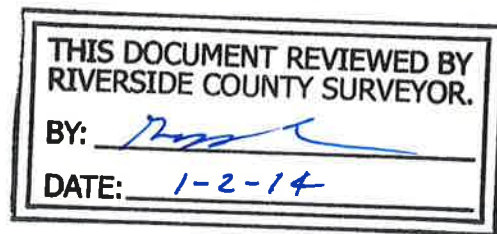
10-28-13

Date



Prepared by: LB/ayo

Checked by: ayo



# EXHIBIT "B"

VACATION OF A PORTION OF  
A DRAINAGE ACCESS EASEMENT



C/L CAMPBELL RANCH ROAD

SE 1/4 SEC. 12, T5S, R6W, SBM

PARCEL "B"  
LOT LINE ADJUSTMENT NO. 5220  
RECORDED 03/27/2009  
DOC. NO. 2009-0151236, O.R.

APN 290-670-034

DRAINAGE ACCESS EASEMENT TO  
RIV. CO. RECORDED 1/18/2012 AS  
INST. NO. 2012-0020995, O.R.

PARCEL "B" AND  
TRACT 31908-1  
BOUNDARY LINE

C/L INDIAN TRUCK  
TRAIL ROAD

C/L DE PALMA ROAD

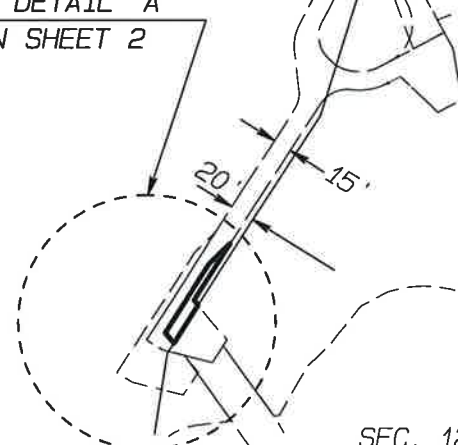
R=1100.00'  
Δ= 41°54'27"  
L=804.57'

SANTIAGO  
CANYON ROAD

TR. 31908-1  
M.B. 437/7-12

SEE DETAIL 'A'  
ON SHEET 2

THIS DOCUMENT REVIEWED BY  
RIVERSIDE COUNTY SURVEYOR.  
BY: *[Signature]*  
DATE: 1-2-14



SEC. 12 T.5S., R.6W., S.B.M.

ALBERT A.  
**WEBB**  
ASSOCIATES

RIVERSIDE COUNTY, CALIFORNIA

DATE PREPARED: 9/25/2013  
G:\2012\12-0176\DWG & PROJ\Design\12-0176\Drainage Access Esmt Abandonment.pro

THIS PLAT IS SOLELY AN AID IN LOCATING THE PARCEL(S)  
DESCRIBED IN THE ATTACHED DOCUMENT.

SHEET 1 OF 2

W.O. 12-176

NO SCALE

DRWN BY *LA/AJO* DATE *12-30-13*  
CHKD BY *AYD* DATE *12-30-13*

SUBJECT: VACATION OF A PORTION OF A  
DRAINAGE ACCESS EASEMENT

# EXHIBIT "B"

## VACATION OF A PORTION OF A DRAINAGE ACCESS EASEMENT



**PARCEL "B"**  
**LLA NO. 5220**

DRAINAGE ACCESS EASEMENT  
TO RIV.CO. RECORDED  
12/17/2013 AS INST. NO.  
2013-0583139, O.R.

DRAINAGE ACCESS EASEMENT TO  
RIV. CO. RECORDED 1/18/2012 AS  
INST. NO. 2012-0020995, O.R.

CONSERVATION  
EASEMENT TO  
RIVERSIDE-CORONA  
RESOURCE CONS. DIST.  
REC. 12/31/2011 AS  
INST. NO. 2011-0579538, O.R.

DRAINAGE ACCESS  
EASEMENT  
DEDICATED  
ON M.B. 437/7-12

**LOT 117**  
**OPEN SPACE**  
**TR 31908-1**  
**M.B. 437/7-12**

DRAINAGE ACCESS EASEMENT  
TO RIV.CO. RECORDED  
12/17/13 AS INST. NO.  
2013-0583140, O.R.

622 S.F.±

L1  
7.94'  
1.63'  
508°58'48"W 465.33'

P.O.C.

T.P.O.B.

STORM DRAIN EASEMENT  
DEDICATED ON M.B. 437/7-12

DETAIL 'A'  
SCALE: 1"=50'

LINE	BEARING	DISTANCE
L1	N39°40'41"W	11.11'
L2	N32°19'04"E	66.07'
L3	N45°32'35"E	24.31'
L4	S32°19'04"W	54.73'
L5	S39°40'41"E	5.26'
L6	S32°19'04"W	36.81'

SEC. 12 T.5S., R.6W., S.B.M.

A L B E R T A .  
**WEBB**  
A S S O C I A T E S

RIVERSIDE COUNTY, CALIFORNIA

DATE PREPARED: 9/25/2013

G:\2012\12-0176\DWG & PROJ\Design\12-0176\Drainage Access Esmt Abandonment.pro

THIS PLAT IS SOLELY AN AID IN LOCATING THE PARCEL(S)  
DESCRIBED IN THE ATTACHED DOCUMENT.

SHEET 2 OF 2

W.O. 12-176

SCALE: 1"=50'

DRWN BY \_\_\_\_\_ DATE \_\_\_\_\_  
CHKD BY \_\_\_\_\_ DATE \_\_\_\_\_

SUBJECT: VACATION OF A PORTION  
OF A DRAINAGE ACCESS EASEMENT

**EXHIBIT "C"**  
**VACATION OF A PORTION OF AN ACCESS EASEMENT**  
**LEGAL DESCRIPTION**

That portion of that certain "Access Easement" lying within Lot 117 Open Space, dedicated to the public for ingress, egress and for the construction of and maintenance of flood control facilities dedicated on Tract 31908-1, as shown by map of on file in Book 437 of Maps at pages 7 through 12, inclusive thereof, Records of Riverside County, California, lying within Section 12, Township 5 South, Range 6 West, San Bernardino Meridian, described as follows:

**COMMENCING** at a point on the westerly line of said Lot 117, said point being the southwesterly end of that certain course shown as "N32°19'04"E 229.43' " on said map;

Thence North 32°19'04" East along said westerly line, a distance of 1.63 feet to the most westerly corner of said "Access Easement";

Thence continuing North 32°19'04" East along said westerly line and along the northwesterly line of said "Access Easement", a distance of 7.94 to the **TRUE POINT OF BEGINNING**;

Thence continuing North 32°19'04" East along said westerly line and along said northwesterly line, a distance of 36.81 feet to the most northerly corner of said "Access Easement";

Thence South 39°40'41" East along the northeasterly line of said "Access Easement", a distance of 36.80 feet to the most easterly corner thereof;

Thence South 32°19'04" West along the southeasterly line thereof, a distance of 22.00 feet to the most southerly corner thereof;

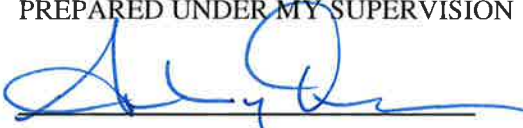
Thence North 75°41'11" West along the southwesterly line thereof, a distance of 23.95 feet to a point thereon;

Thence leaving said southwesterly line North 39°40'41" West, a distance of 12.85 feet to the **TRUE POINT OF BEGINNING**.


Containing 1,120 square feet, more or less.

SEE PLAT ATTACHED HERETO AS EXHIBIT "D" AND MADE A PART HEREOF.

PREPARED UNDER MY SUPERVISION

  
Andrew Y. Orosco, L.S. 5491                      Date 12.30.13

Prepared by: LR/AYO  
Checked by: AYO

THIS DOCUMENT REVIEWED BY  
RIVERSIDE COUNTY SURVEYOR.  
BY:   
DATE: 1-2-14





# EXHIBIT "D"

## VACATION OF A PORTION OF AN ACCESS EASEMENT

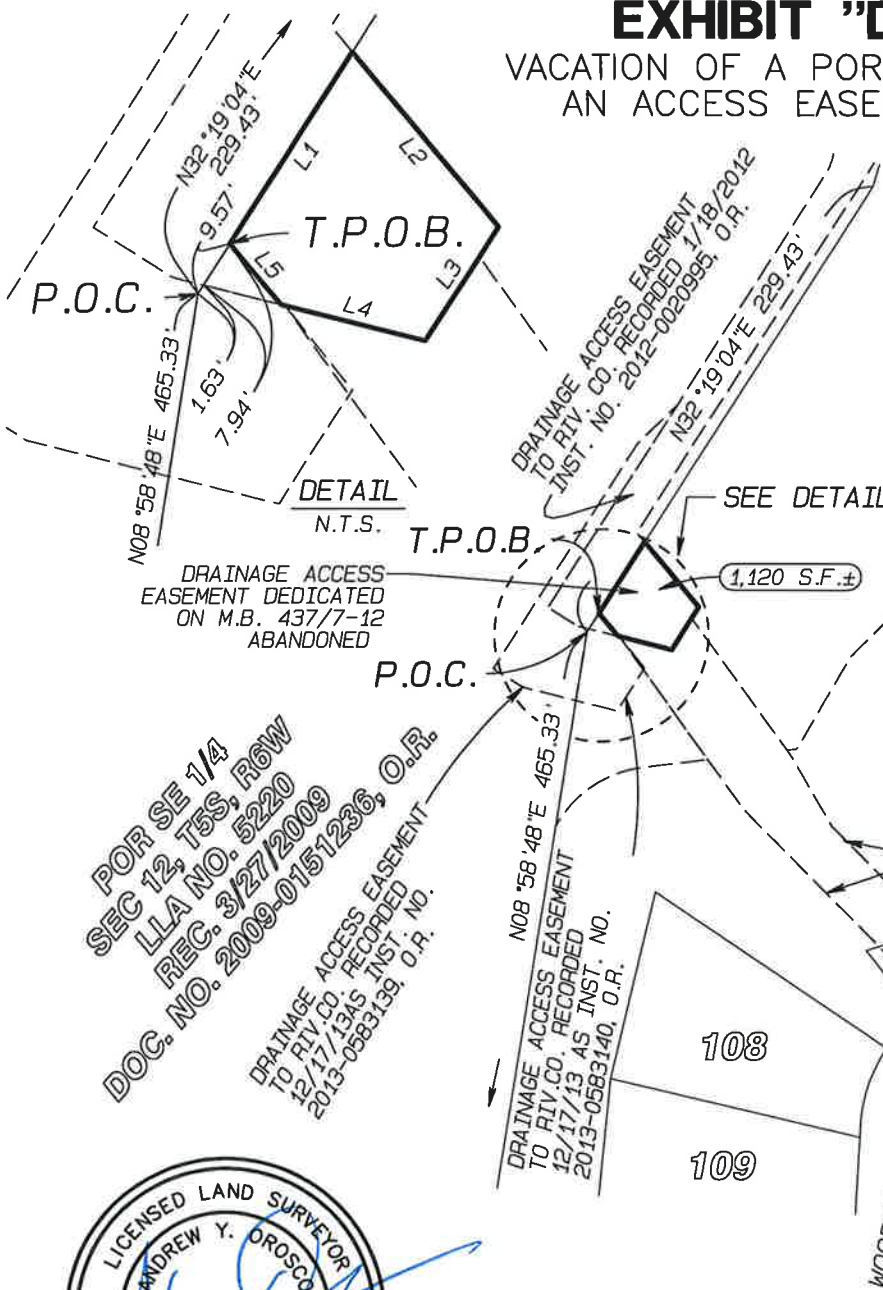


**LOT 117  
OPEN SPACE  
TR. 31908-1  
M.B. 437/7-12**

CONSERVATION EASEMENT  
REC. 12/30/2011 AS  
INST. NO. 2011-0579538, O.R.

**LOT 116  
OPEN SPACE**

DRAINAGE EASEMENT  
DEDICATED TO THE  
PUBLIC ON M.B. 437/7-12



**POR SE 1/4  
SEC 12, T5S, R6W  
LLA NO. 5220  
REC. 3/27/2009  
DOC. NO. 2009-0151236, O.R.**

**DRAINAGE ACCESS EASEMENT  
TO RIV. CO. RECORDED  
12/17/13 AS INST. NO.  
2013-0583139, O.R.**

**DRAINAGE ACCESS EASEMENT  
TO RIV. CO. RECORDED  
12/17/13 AS INST. NO.  
2013-0583140, O.R.**



**THIS DOCUMENT REVIEWED BY  
RIVERSIDE COUNTY SURVEYOR.**

BY: *[Signature]*

DATE: 1-2-14

LINE	BEARING	DISTANCE
L1	N32°19'04"E	36.81'
L2	S39°40'41"E	36.80'
L3	S32°19'04"W	22.00'
L4	N75°41'11"W	23.95'
L5	N39°40'41"W	12.85'

SEC. 12, T.5S., R.6W., S.B.M.

A L B E R T A .  
**WEBB**  
A S S O C I A T E S

RIVERSIDE COUNTY

File :G:\2012\12-0176\DWG & PRO\Design\12-0176ACCESS VACATION.pro DATE PREPARED: 10/22/13

THIS PLAT IS SOLELY AN AID IN LOCATING THE PARCEL(S) DESCRIBED IN THE ATTACHED DOCUMENT. ALL PRIMARY CALLS ARE LOCATED IN THE WRITTEN DESCRIPTION.

SHEET 1 OF 1 W.O. 12-176

SCALE: 1"=80' DRWN BY W/ATO DATE 12-30-13 SUBJECT: PORTION ACCESS EASEMENT VACATION  
CHKD BY W/ATO DATE 12-30-13



# COUNTY OF RIVERSIDE

## TRANSPORTATION AND LAND MANAGEMENT AGENCY



Juan C. Perez, P.E., T.E.  
Director of Transportation

### Transportation Department

## MEMORANDUM

DATE: May 29, 2014

TO: Mary Ann Meyer, Office of the County Clerk

FROM: *WZ*  
Russell Williams, Environmental Division Manager

RE: **Vacation of Portions of Drainage Access Easements**  
W.O.#ZAB13007, Task Code #Z1530

The Riverside County Transportation Department is requesting that you post the attached Notice of Exemption per County Implementing Resolution No. 2003-138. Attached you will find an authorization to bill by journal voucher in the amount of \$64.00 for your posting fee.

After posting, please return the document to Mail Stop #2136, Attention: Andrew Huneck. If you have any questions, please contact Andy at (951) 955-1506.

Attachment

cc: file



# COUNTY OF RIVERSIDE TRANSPORTATION AND LAND MANAGEMENT AGENCY



Juan C. Perez, P.E., T.E.  
Director of Transportation

## Transportation Department NOTICE OF EXEMPTION

May 29, 2014

**PROJECT TITLE:** Vacation of Portions of Drainage Access Easements  
Work Order #ZAB13007, Task Code #Z1530

**PROJECT SPONSOR:** Riverside County Transportation Department

**PROJECT LOCATION:** Located in Western Riverside County, Glen Ivy Hot Springs Community

**SUPERVISORIAL DISTRICT:** First

**PROJECT DESCRIPTION:** At the request of Woodside 05S, Limited Partnership, the Riverside County Transportation Department (RCTD) proposes to vacate that portions of the existing drainage access easements shown on Tract Map 31908-1 and Document Number 2012-002995, recorded January 18, 2012. These portions of the existing drainage access easements are not necessary and are excess right-of-way as a result of the dedication of new drainage access easements by Document Numbers 2013-0583139 and 2013-0583140, both recorded December 17, 2013.

In accordance with Section 7.3.4 of the Western Riverside County MSHCP, necessary operation and maintenance activities conducted for safety purposes along existing roadways are considered a covered activity. Therefore, no mitigation is required for the proposed improvements of this project.

The Riverside County Transportation Department Staff conducted a review of the above referenced project and has determined that the proposals qualify for a Categorical Exemption per the California Environmental Quality Act (CEQA) Guidelines and the Riverside County Rules to Implement CEQA.

**The Riverside County Transportation Department has found that the above-described project is exempt from the provisions of the California Environmental Quality Act (CEQA), based on the following:**

**California Environmental Quality Act Guidelines, Section 15061 and Section 15301 (c)**

By: Andrew Huneck, Senior Transportation Planner

Signed: Mary Zambon  
Russell Williams, Environmental Division Manager

**RIVERSIDE COUNTY CLERK & RECORDER**

**AUTHORIZATION  
TO BILL  
BY JOURNAL VOUCHER**

-TO BE FILLED IN BY SUBMITTING AGENCY-

AUTHORIZATION: W.O.#ZAB13007, Task Code Z1530  
NUMBER \_\_\_\_\_

AMOUNT: \$64.00  
\_\_\_\_\_

DATE: May 29, 2014  
\_\_\_\_\_

AGENCY: Riverside County Transportation Department  
\_\_\_\_\_

THIS AUTHORIZES THE COUNTY CLERK & RECORDER TO ISSUE A VOUCHER FOR PAYMENT OF ALL FILING AND HANDLING FEES FOR THE ACCOMPANYING DOCUMENT(S).

NUMBER OF DOCUMENTS INCLUDED: One (1)  
\_\_\_\_\_

AUTHORIZED BY: Russell Williams, Environmental Division Manager

Signature: Mary Zamboni  
\_\_\_\_\_

PRESENTED BY: Andrew Huneck  
\_\_\_\_\_

-TO BE FILLED IN BY COUNTY CLERK-

ACCEPTED BY: \_\_\_\_\_

DATE: \_\_\_\_\_

RECEIPT # (S) \_\_\_\_\_