

209B



**SUBMITTAL TO THE FLOOD CONTROL AND WATER CONSERVATION DISTRICT BOARD OF SUPERVISORS COUNTY OF RIVERSIDE, STATE OF CALIFORNIA**

**FROM:** General Manager-Chief Engineer

**SUBMITTAL DATE:**  
June 16, 2015

**SUBJECT:** Adopt Resolution No. F2015-26 - Setting a Public Hearing for the North Norco Channel, Stage 11 Project Pursuant to Section 18 of the District Act, Project No. 2-0-000140-11, District 2 [\$0]

**RECOMMENDED MOTION:** That the Board of Supervisors:

1. Adopt Resolution No. F2015-26 which sets July 21, 2015 as the date for a public hearing concerning the approval of the above referenced project in accordance with Section 18 of the District Act; and
2. Direct the Clerk of the Board to advertise and post said notice of public hearing to approve the project in accordance with Section 18 of the Riverside County Flood Control and Water Conservation District Act.

**BACKGROUND:**

**Summary**

Section 18 of the Riverside County Flood Control and Water Conservation District Act requires the Board of Supervisors to hold a public hearing for the purpose of considering all comments regarding any proposed facilities before authorizing the construction of such facilities.

**WARREN D. WILLIAMS**  
General Manager-Chief Engineer

JMV:mcv  
P8\170164

<b>FINANCIAL DATA</b>	<b>Current Fiscal Year:</b>	<b>Next Fiscal Year:</b>	<b>Total Cost:</b>	<b>Ongoing Cost:</b>	<b>POLICY/CONSENT (per Exec. Office)</b>
<b>COST</b>	\$ N/A	\$ N/A	\$ N/A	\$ N/A	Consent <input type="checkbox"/> Policy <input type="checkbox"/>
<b>NET DISTRICT COST</b>	\$ N/A	\$ N/A	\$ N/A	\$ N/A	
<b>SOURCE OF FUNDS: N/A</b>				<b>Budget Adjustment: N/A</b>	
				<b>For Fiscal Year: N/A</b>	

**C.E.O. RECOMMENDATION:**

**County Executive Office Signature**

**MINUTES OF THE BOARD OF SUPERVISORS**

- A-30
- 4/5 Vote
- Positions Added
- Change Order

**Prev. Agn. Ref.:**

**District: 2<sup>nd</sup>**

**Agenda Number:**

11-2

FORM APPROVED COUNTY COUNSEL  
BY: ANITA C. WILLIS  
DATE: 6-2-15

Departmental Concurrence

**SUBMITTAL TO THE FLOOD CONTROL AND WATER CONSERVATION DISTRICT  
BOARD OF SUPERVISORS, COUNTY OF RIVERSIDE, STATE OF CALIFORNIA**

**FORM 11:** Adopt Resolution No. F2015-26 - Setting a Public Hearing for the North Norco Channel, Stage 11 Project Pursuant to Section 18 of the District Act, Project No. 2-0-000140-11, District 2 [\$0]

**DATE:** June 16, 2015

**PAGE:** Page 2 of 2

**BACKGROUND:**

**Summary (continued)**

The Riverside County Flood Control and Water Conservation District (District) proposes to construct, operate and maintain the North Norco Channel, Stage 11 Project (project). The project area is currently served by an unlined flood control channel that does not have 100-year flood capacity. Therefore, the project is designed to provide 100-year flood protection, allow revision of the Federal Emergency Management Agency mapping of Flood Hazard Areas and provide safe access across the road crossings at Sixth Street, Valley View Avenue and Corona Avenue. The proposed facilities consist of improvements to an aboveground channel (the North Norco Channel, or mainline) and installation of several underground storm drains (or laterals) that would feed into the channel. The project totals approximately 5,912 lineal feet of drainage improvements. These facilities would be constructed in phases; however, for the purpose of the environmental assessment, are collectively referred to as the North Norco Channel, Stage 11 Project. The cost of implementing the project is estimated at \$7,690,000 and is included in the District's Zone 2 budget.

In accordance with the California Environmental Quality Act, the District prepared and circulated an Initial Study for this project, which analyzes potential impacts it may have on the environment. The result of the Initial Study shows this project, with the incorporation of feasible mitigation, will not significantly impact the environment and a Mitigated Negative Declaration (MND) is proposed. On July 21, 2015, the date of the Section 18 public hearing, the Board will consider the MND under Resolution No. F2015-27.

**Impact on Residents and Businesses**

N/A

**ATTACHMENTS (if needed, in this order):**

1. Resolution No F2015-26
2. Project Map (Attachment "A")
3. Channel and Storm Drain Cross-Sections (Attachment "B")
4. Engineer's Statement (Attachment "C")

P8\170164

1  
2 Board of Supervisors

Riverside County Flood Control  
and Water Conservation District

3 **RESOLUTION NO. F2015-26**  
4 **SETTING A PUBLIC HEARING DATE FOR**  
5 **NORTH NORCO CHANNEL, STAGE 11 PROJECT**  
6 **IN ACCORDANCE WITH SECTION 18 OF THE**  
7 **RIVERSIDE COUNTY FLOOD CONTROL AND**  
8 **WATER CONSERVATION DISTRICT ACT**

9 WHEREAS, Act 6642 of the State Legislature, Section 18 of the Riverside County Flood  
10 Control and Water Conservation District Act ("District Act") requires that the Riverside County  
11 Flood Control and Water Conservation District ("District") give public notice and conduct a  
12 public hearing prior to undertaking construction of District facilities; and

13 WHEREAS, this Board of Supervisors ("Board") intends to undertake a project within  
14 the city of Norco designated as the North Norco Channel, Stage 11 Project ("Project"); and

15 WHEREAS, the Project is generally bounded to the south by Mulberry Lane, to the west  
16 by Sierra Avenue, to the north by Seventh Street, and to the east by Temescal Avenue; and

17 WHEREAS, the Project consists of the replacement of the existing interim earthen  
18 channel with a combination of soft-bottom concrete-lined trapezoidal/concrete rectangular open  
19 channels and construction of underground storm drains Line N-2, Line NC and Lateral NC-1  
20 designed to provide 100-year flood protection; and

21 WHEREAS, reference is made to a Section 18 Map, dated June 2015 (Attachment "A"),  
22 bearing the name and showing the general location and typical cross sections (Attachment "B")  
23 of the Project which are also on file with the Clerk of the Board; and

24 WHEREAS, reference is made to the engineering cost estimate of the Project, entitled  
25 "Engineer's Statement" (Attachment "C") on file with the Clerk of the Board; and  
26  
27  
28

FORM APPROVED COUNTY COUNSEL  
BY: Aaron C. Gettis 6-2-15  
DATE

1           WHEREAS, in accordance with the California Environmental Quality Act (CEQA), the  
2 District prepared an Initial Study which demonstrates that, with the incorporation of required  
3 mitigation, the Project will not have a significant physical impact on the environment and,  
4 therefore, a Mitigated Negative Declaration (MND) is proposed; and  
5

6           WHEREAS, the Initial Study and MND (SCH No. 2015041069) were circulated for a 30-  
7 day public review period from April 21, 2015 through May 20, 2015 pursuant to CEQA; and

8           WHEREAS, on July 21, 2015, the date of the Section 18 Public Hearing, the Board will  
9 consider the MND under Resolution No. F2015-27; and

10           WHEREAS, the Section 18 map and the Engineer's Statement for the Project are posted  
11 on the District's website at <http://rcflood.org> under the CEQA/Section 18 tab and may be  
12 inspected at the District's office located at 1995 Market Street, Riverside, California 92501 or at  
13 Norco Public Library located at 3954 Old Hamner Road, Norco, California 92860; and  
14

15           WHEREAS, pursuant to Section 18 of the District Act, prior to making a decision on the  
16 Project, this Board will consider all written and oral comments; and

17           WHEREAS, pursuant to Section 18 of the District Act, any person wishing to comment  
18 on the Project may do so in writing between the date of this notice and the public hearing, or may  
19 appear and be heard at the time and place noted below.  
20

21           NOW, THEREFORE, BE IT RESOLVED, DETERMINED AND ORDERED by the  
22 Board of Supervisors of the Riverside County Flood Control and Water Conservation District in  
23 regular session assembled on June 16, 2015 that:

24           1. A public hearing pertaining to the North Norco Channel, Stage 11 Project will be  
25 held in accordance with Section 18 of the District Act on July 21, 2015 at 10:30 a.m., or as soon  
26 as possible thereafter, at the meeting room of this Board, 1<sup>st</sup> Floor, County Administrative  
27  
28

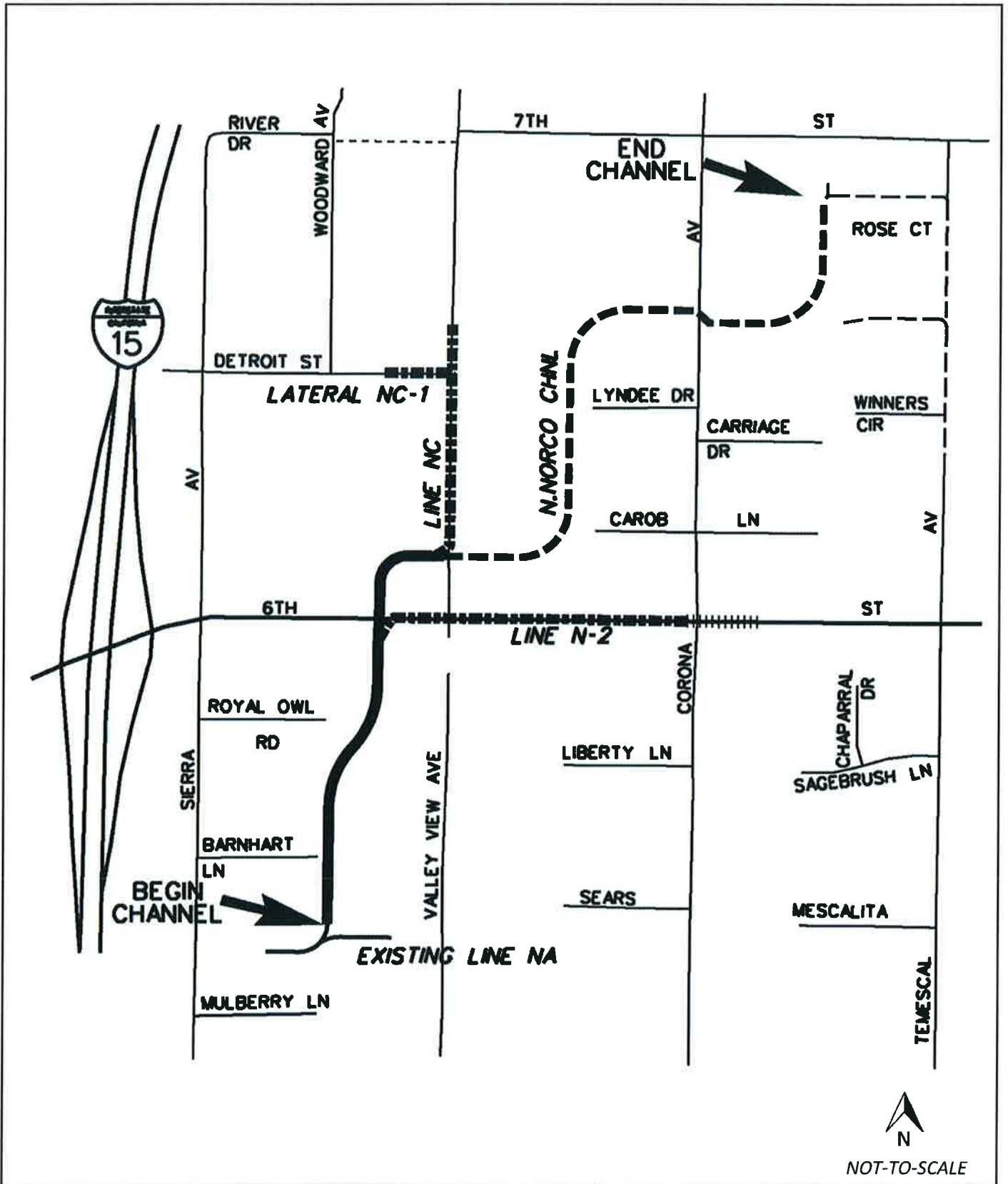
1 Center, 4080 Lemon Street, Riverside, California, 92501 at which time all public comments shall  
2 be heard.

3           2. The District shall cause a copy of this resolution and copies of the map and  
4 Engineer's Statement to be posted at least 21 days before said hearing at the Norco Public  
5 Library located at 3954 Old Hamner Road, Norco, California 92860.

6           3 The District shall cause a copy of this resolution and copies of the map and  
7 Engineer's Statement to be posted at least 21 days before said hearing at the Riverside County  
8 Flood Control and Water Conservation District located at 1995 Market Street, Riverside,  
9 California 92501.

10           4. The District shall cause a copy of this resolution to be posted at least 21 days before  
11 said hearing at the Riverside County Clerk and Recorder's Office, 2724 Gateway Drive,  
12 Riverside, California 92507.

13           5. The Clerk of this Board is directed to cause a copy of this resolution to be published  
14 twice, once at least 21 days before said hearing and once 7 days following the initial publication,  
15 in a newspaper of general circulation in accordance with Section 18 of the District Act.  
16  
17  
18  
19  
20  
21  
22  
23  
24  
25  
26  
27  
28

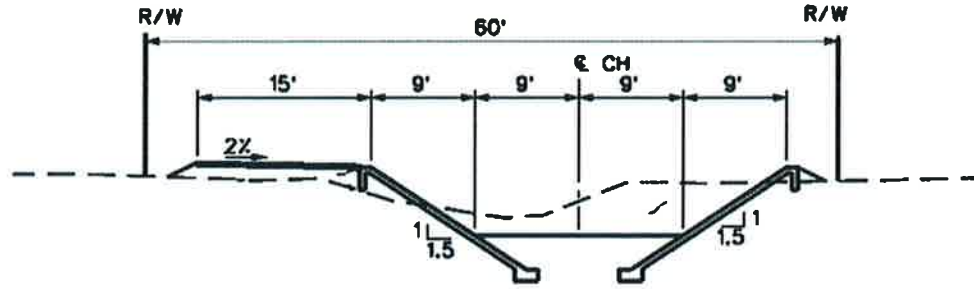


**SECTION 18 MAP**  
 North Norco Channel, Stage 11  
 PROJECT NUMBER: 2-8-00140-11-30-0000-000  
 June 2015

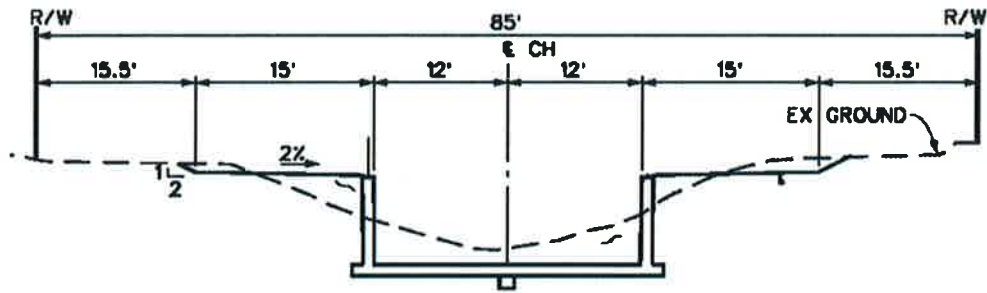
LEGEND	
	SOFT-BOTTOM TRAP. CHNL
	CONCRETE RECT. CHNL
	STORM DRAIN CONCRETE BOX
	STORM DRAIN CONCRETE PIPE

Image Source: RCFC Plans for North Norco Channel, Stage 11

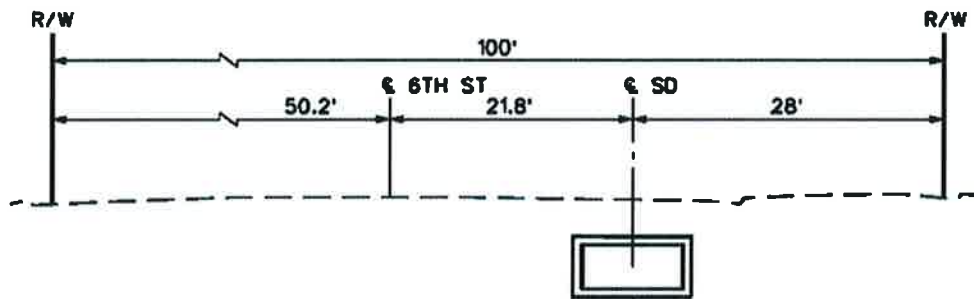
**Typical Trapezoidal Channel Section**



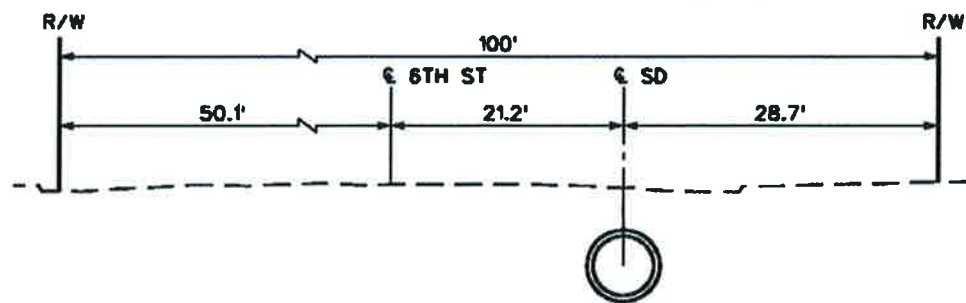
**Typical Rectangular Channel Section**



**Typical Reinforced Concrete Box Section**



**Typical Reinforced Concrete Pipe Section**



NOT-TO-SCALE



**SECTION 18 CROSS SECTIONS**

North Norco Channel, Stage 11

PROJECT NUMBER: 2-8-00140-11-30-0000-000

June 2015

Engineer's Statement

North Norco Channel, Stage 11	222-2-8-00140-11
North Norco Channel, Line N-2, Stage 1	222-2-8-00144-01
Norco MDP, Line NC, Stage 1	222-2-8-00078-01
Norco MDP, Lateral NC-1, Stage 1	222-2-8-00080-01

The proposed projects are located in the City of Norco, Riverside County, California. North Norco Channel Stage 11 is an ultimate storm drain system designed to collect runoff from an 817- acre watershed located north of the confluence with Line NA. When complete, North Norco Channel will provide 100-year flood protection.

The main line of proposed North Norco Channel consists of approximately 5,912 lineal feet of channel. Downstream of Valley View Avenue, approximately 2,384 lineal feet of reinforced concrete lined rectangular channel is proposed with 8 feet high walls and a base width of 24 feet. Upstream of Valley View Avenue, approximately 3,527 lineal feet of concrete lined revetment with earthen bottom is proposed and ranges in height from 7 to 6 feet, width of 18 feet and side slopes of 1.5 to 1.

North Norco Channel – Line N-2 Stage 1 is an ultimate storm drain system designed to collect runoff from a 45-acre watershed located along 6<sup>th</sup> Street from Valley View Avenue to Corona Avenue and convey it to the improved North Norco Channel. MDP Line N-2 Stage 1 consists of approximately 1,500 lineal feet of 9-feet wide by 4-feet high reinforced concrete box culvert, approximately 150 lineal feet of 7-feet wide by 4-feet high reinforced concrete box culvert and 170 feet of 48-inch reinforced concrete pipe. When complete, Line N-2 Stage 1 storm drain will provide 100-year flood protection.

Norco MDP Line NC Stage 1 is an ultimate storm drain system designed to collect runoff from a 147-acre watershed along Valley View Avenue and convey it to the improved North Norco Channel. The proposed Norco MDP Line NC Stage 1 consists of 985 lineal feet of 8-feet wide by 4-feet high reinforced concrete box and 255 lineal feet of 5-feet wide by 4-feet high reinforced concrete box. When complete and once the existing streets are improved with curb and gutter, Line NC Stage 1 storm drain will provide 100-year flood protection.

Norco MDP Lateral NC-1 Stage 1 is an ultimate storm drain system designed to collect runoff from a 46-acre watershed located along Detroit Avenue and convey it to the proposed Line NC. The proposed Norco MDP Lateral NC-1 Stage 1 consists of 265 lineal feet of a 6-feet wide by 3-feet high reinforced concrete box. When complete and once the existing streets are improved with curb and gutter, Lateral NC-1 Stage 1 storm drain will provide 100-year flood protection.

The cost of the combined projects is approximately \$7,690,000.