



**SUBMITTAL TO THE FLOOD CONTROL AND
WATER CONSERVATION DISTRICT BOARD OF SUPERVISORS
COUNTY OF RIVERSIDE, STATE OF CALIFORNIA**

FROM: General Manager-Chief Engineer

SUBMITTAL DATE:
January 26, 2016

SUBJECT: Project Award-San Sevaine Channel, Stage 8 Repairs, Project No. 1-0-00050,
2nd District, (\$145,000) District Funds 100%

RECOMMENDED MOTION: That the Board of Supervisors:

1. Approve the low bid submitted by the firm of KEC Engineering for \$145,000 for the repair of the above-referenced project; and
2. Authorize the General Manager-Chief Engineer to execute the contract pursuant to District Resolution No. F93-28, Agenda Item No. 9.1 of August 24, 1993, Resolution Delegating Authority to the General Manager-Chief Engineer as to Change Orders and Emergency Work and Agenda Item No. 3-21, Proclamation of Local Emergency in Riverside County due to the imminent threat of heavy storms, flash floods, and other potential effects from El Niño Concept of Operations (CONOPS) Plan.

BACKGROUND:

Summary

(Cont. on Page 2)

ALG:rlp
P8\201765

WARREN D. WILLIAMS
General Manager-Chief Engineer

FINANCIAL DATA	Current Fiscal Year:	Next Fiscal Year:	Total Cost:	Ongoing Cost:	POLICY/CONSENT (per Exec. Office)
COST	\$ 145,000	\$ N/A	\$ 145,000	\$ N/A	Consent <input type="checkbox"/> Policy <input type="checkbox"/>
NET DISTRICT COST	\$ 145,000	\$ N/A	\$ 145,000	\$ N/A	

SOURCE OF FUNDS: Emergency Services 25110 947400 527950
Zone 1 Const./Maint./Misc.

Budget Adjustment: No
For Fiscal Year: 15/16

C.E.O. RECOMMENDATION:

APPROVE

BY:
Steven C. Horn

County Executive Office Signature

MINUTES OF THE BOARD OF SUPERVISORS

FISCAL PROCEDURES APPROVED
 JEANINE J. REY, FINANCE DIRECTOR
 BY:
 JEANINE J. REY
 Departmental Concurrence
 FORM APPROVED COUNTY COUNSEL
 BY:
 GREGORY P. PRIAMOS
 DATE

- A-30
- 4/5 Vote
- Positions Added
- Change Order

**SUBMITTAL TO THE FLOOD CONTROL AND WATER CONSERVATION DISTRICT
BOARD OF SUPERVISORS, COUNTY OF RIVERSIDE, STATE OF CALIFORNIA**

FORM 11: Project Award—San Sevaine Channel, Stage 8 Repairs, Project No. 1-0-00050,
2nd District, (\$145,000) District Funds 100%

DATE: January 26, 2016

PAGE: Page 2 of 2

BACKGROUND:

Summary (continued)

The General Manager-Chief Engineer authorized this emergency repair work and request for quotation was sent out to six (6) selected construction companies on November 19, 2015. On December 15, 2015 the District received quotations from four (4) companies. The lowest bid was submitted by KEC Engineering. This emergency repair project is located within San Sevaine Channel, between Philadelphia Avenue and the SR-60. A portion of the invert of the channel is heaved and if the issue is not rectified, then the channel is susceptible to further damage in the upcoming rainy season. Repairing the invert will ensure that the flood control channel is able to provide the maximum flood protection it was designed for, which includes protection of the adjacent SR-60 freeway.

ATTACHMENTS (if needed, in this order):

1. Vicinity Map and Details of Proposed Repair Work

SAN SEVAINE CHANNEL, STAGE 8 INVERT REPAIR

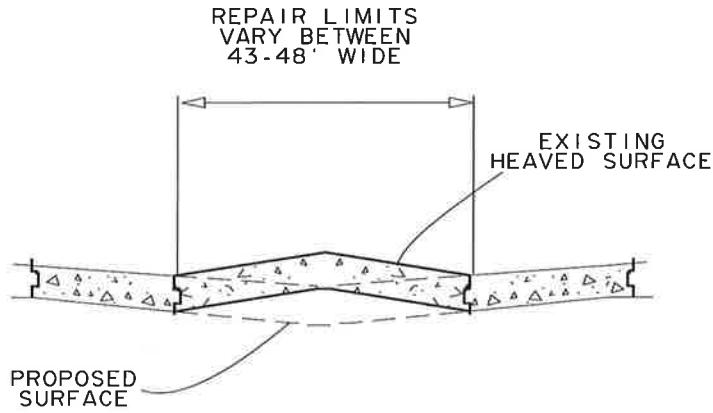
PROJECT NO. 1-0-00050



INDEX MAP
NTS



PROJECT LOCATION
NTS



CHANNEL INVERT DETAIL
NTS

The San Sevaime Channel, Stage 8 Repair Project is located within the City of Jurupa Valley and consists of replacing a portion of the channelinvert located north of the SR-60 freeway as well as repairing a portion of the slope walls with high strength concrete.