

**SUBMITTAL TO THE BOARD OF SUPERVISORS  
COUNTY OF RIVERSIDE, STATE OF CALIFORNIA**



5166

**FROM:** TLMA – Transportation Department

**SUBMITTAL DATE:**  
August 25, 2016

**SUBJECT:** Accept the Low Bid and Award the Contract to All American Asphalt for the Construction of Gilman Springs Road Curve Realignment Project and the Gilman Springs Road/State Street and Soboba Road Traffic Signal and Lighting Project in the Gilman Hot Springs Area. 3<sup>rd</sup> District; [\$1,622,671 – Total Cost]; [\$5,500 – Ongoing Cost]; Federal Funds 68%, Local Funds 32%

**RECOMMENDED MOTION:** That the Board of Supervisors:

1. Approve six addenda to the plans and specifications issued prior the August 10, 2016, bid opening; and
2. Accept the low bid of All American Asphalt of Corona, CA in the amount of \$1,622,671; and
3. Award the contract to All American Asphalt and authorize the Chairman of the Board to execute the contract documents; and
4. Approve the project's proposed budget as shown on Attachment "A".

Patricia Romo  
Director of Transportation

JCP:jrj:rr

FINANCIAL DATA	Current Fiscal Year:	Next Fiscal Year:	Total Cost:	Ongoing Cost:	POLICY/CONSENT (Per Exec. Office)
<b>COST</b>	\$ 1,622,671	\$ 0	\$ 1,622,671	\$ 5,500	Consent <input type="checkbox"/> Policy <input checked="" type="checkbox"/>
<b>NET COUNTY COST</b>	\$ 0	\$ 0	\$ 0	\$ 0	

**SOURCE OF FUNDS:** HSIP-Highway Safety Improvement Program (68 %), West County DIF Signal Mitigation (24 %), Gas Tax/HUTA (8 %). There are no General Funds used in this project.

**Budget Adjustment:** No

**For Fiscal Year:** 16/17

**C.E.O. RECOMMENDATION:**

APPROVE

BY:

Tina Grande

County Executive Office Signature

**MINUTES OF THE BOARD OF SUPERVISORS**

FORM APPROVED COUNTY COUNSEL  
BY: GREGORY P. PRIAMOS  
DATE: 8/31/16

Departmental Concurrence

- A-30
- 4/5 Vote
- Positions Added
- Change Order

**Prev. Agn. Ref.:** 4/26/16, Item 3-36

**District:** 3

**Agenda Number:**

**3-48**

**SUBMITTAL TO THE BOARD OF SUPERVISORS, COUNTY OF RIVERSIDE, STATE OF CALIFORNIA**

**FORM 11:** Accept the Low Bid and Award the Contract to All American Asphalt for the Construction of Gilman Springs Road Curve Realignment Project and the Gilman Springs Road/State Street and Soboba Road Traffic Signal and Lighting Project in the Gilman Hot Springs Area. 3rd District; [\$1,622,671 – Total Cost]; [\$5,500 – Ongoing Cost]; Federal Funds 68%, Local Funds 32%

**DATE:** August 25, 2016

**PAGE:** 2 of 3

**BACKGROUND:**

**Summary**

By Minute Order dated April 26, 2016 (Agenda Item 3-36), the Board of Supervisors authorized the Clerk of the Board to advertise for the construction of Gilman Springs Road Curve Realignment Project and the Gilman Springs Road/State Street and Soboba Road Traffic Signal and Lighting Project in the Gilman Hot Springs Area subject to the approval of Federal funds. Federal funds were approved on June 20, 2016, and the first day of project advertisement publication was posted June 25, 2016.

During the advertisement period, six addenda were issued to all registered plan holders as a supplement to the plans and specifications. Bidders were required to acknowledge and take into account the issued addenda on their contractor's Bid in order to be considered for award. The addenda were issued to clarify and modify the approved contract documents. The addenda are attached and designated as Addendum No. 1 through No. 6.

**Gilman Springs Road Curve Realignment Project**

Approximately 0.60 miles of safety improvements along a segment of Gilman Springs Road will include shoulder widening, installation of centerline rumble strips, rumble strips along the edge of the travel lane, and the realignment of horizontal and vertical curves from approximately 2,090 feet northwest of Country Club Drive to about 150 feet southeast of Sublette Road.

The curve realignment project is expected to be completed within the existing budget shown on Attachment "A".

The road will be closed to all traffic for a continuous period of thirty (30) calendar days for this construction.

**Traffic Signal and Lighting at the Intersection of Gilman Springs Road/State Street and Soboba Road Project**

Improvements at the intersection of Gilman Springs Road/State Street and Soboba Road include installing traffic signalization and lighting, embankment/slope construction, pavement rehabilitation, construction of Americans with Disabilities Act (ADA) compliant concrete curb ramps, driveway, sidewalk, curb and gutter, and metal guard railings.

As part of this project, an approximately 1.5 miles segment of Gilman Springs Road, southerly of Sanderson Avenue/State Route 79, will be also rehabilitated. Deteriorated sections of pavement will be ground and overlaid with new asphalt concrete, and slurry seal treatment will be provided through the whole segment as preventative maintenance to extend the life of the pavement and postpone more costly pavement rehabilitation. The slurry seal treatment seals small cracks, restores lost flexibility of the pavement surface and helps preserve underlying pavement structure. Additional work includes placing pavement markers and roadside signs, painting traffic stripes and pavement markings and other associated improvements.

The County of Riverside Transportation Department (Transportation Department) recommends award of the following schedules of work in the Contract amount of \$1,622,671:

Base Bid Schedule 1:	Gilman Springs Road Improvement Project
Base Bid Schedule 2:	Gilman Springs Road and Soboba Road Traffic Signal Project and Pavement Rehabilitation Project

The proposed budget as shown on Attachment "A" includes the contract award amount and other associated costs.

The Contractor is qualified to perform the work as outlined in the bid, has executed the contract, and has provided bonds, which meet the requirements of the Contract.

**SUBMITTAL TO THE BOARD OF SUPERVISORS, COUNTY OF RIVERSIDE, STATE OF CALIFORNIA**

**FORM 11:** Accept the Low Bid and Award the Contract to All American Asphalt for the Construction of Gilman Springs Road Curve Realignment Project and the Gilman Springs Road/State Street and Soboba Road Traffic Signal and Lighting Project in the Gilman Hot Springs Area. 3rd District; [\$1,622,671 – Total Cost]; [\$5,500 – Ongoing Cost]; Federal Funds 68%, Local Funds 32%

**DATE:** August 25, 2016

**PAGE:** 3 of 3

Project No. C4-0079, Federal Aid No. HSIPL-5956(237), Gilman Springs Curve Realignment Project  
C5-0065, Gilman Springs Road/State Street and Soboba Road Traffic Signal and Lighting Project

**Impact on Residents and Businesses**

The proposed projects will enhance traffic safety by improving existing vertical and horizontal curve alignments and providing protected traffic signal phasing for motorists turning on to Soboba Road.

The project will require full closure of traffic lanes for thirty (30) consecutive calendar days during project construction. Traffic will be temporary detoured to State Highway 79 on the north end of the project and State Street on the south end of the project.

The work is scheduled to begin in Fall 2016 and will take approximately one and a half months to complete.

**SUPPLEMENTAL:**

**Additional Fiscal Information**

The contract is recommended to be awarded to All American Asphalt for the total amount of \$1,622,671. The project will be funded with Highway Safety Improvement Program (HSIP), Gas Tax/HUTA, and West County Development Impact Fee (DIF) Signal Mitigation.

The Federal HSIP Funds were obtained through a statewide selection process in which the Transportation Department successfully completed.

The DIF program, which is governed under Ordinance 659, allows for the use of DIF funds for traffic signal facilities.

Annual total operation and maintenance costs for the traffic signal are estimated at \$5,500 to be funded by Gas Tax.

There are no General Funds used in this project.

**Contract History and Price Reasonableness**

Nine bids were received on August 10, 2016, ranging from \$1,622,671 to \$2,506,900 (including Base Bid Schedules 1 and 2). The basis for the selection of a contractor is the lowest responsive and responsible bid.

The lowest responsive and responsible bid was submitted by All American Asphalt in the amount of \$1,622,671 which is \$359,561 (18%) below the Engineer's Estimate.

**ATTACHMENTS:**

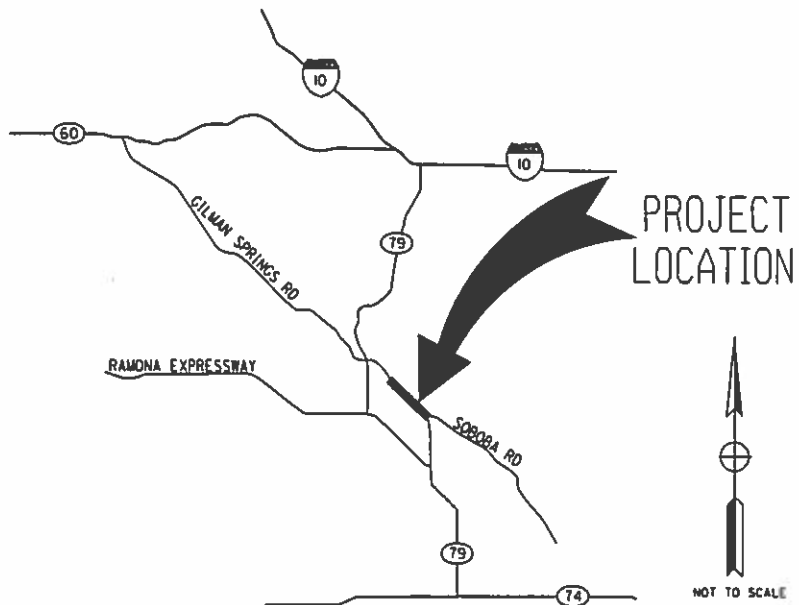
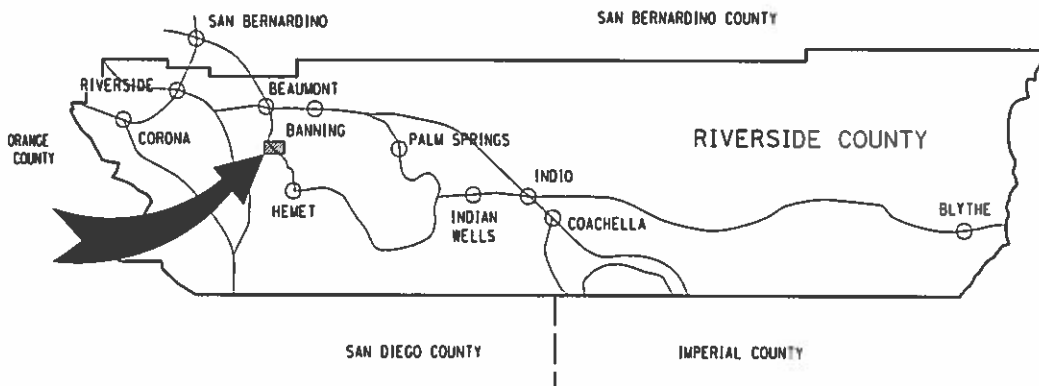
- Vicinity Map
- Attachment A
- Contract/Lease/Purchase Summary Data
- Summary of Bids
- Addenda No. 1 through No. 6
- Contract
- Bid Proposal

COUNTY OF RIVERSIDE  
TRANSPORTATION DEPARTMENT

**GILMAN SPRINGS ROAD  
IMPROVE HORIZONTAL AND VERTICAL ALIGNMENTS  
AND OTHER ROADWAY SAFETY FEATURES**

0.5 MILE SEGMENT APPROXIMATELY 1,000-FOOT WESTERLY OF SOBOBA ROAD; and  
TRAFFIC SIGNAL AT THE INTERSECTION OF SOBOBA ROAD

PROJECT No. C4-0079, C5-0065  
FEDERAL AID No. HSIPL-5956(237)



**VICINITY MAP**

PROJECT LENGTH = 0.48 MILES  
TOWNSHIP 4S RANGE 1W SECTION 15 & 16  
2011 THOMAS GUIDE PG 780, H3-J3

# Attachment "A"

Riverside County Transportation Department

Project: **Gilman Springs Rd Curve Realignment Project**

Project No.(s): **C4-0079**

### Project Costs and Budget

Activity	Incurred Costs	Projected Costs	Total Costs	Existing Budget	Proposed Budget
Preliminary Survey					
Environmental	245,432	2,568	248,000	250,000	248,000
Design	432,736	3,264	436,000	370,000	436,000
Right-of-way					
Utilities					
Construction		1,151,225	1,267,000	1,564,000	1,267,000
Construction Contingency 10%		115,122			
Construction Engineering & Inspection	31,116	200,884	232,000	225,000	232,000
Construction Survey		100,000	100,000	100,000	100,000
<b>Totals:</b>	<b>709,284</b>	<b>1,573,064</b>	<b>2,283,000</b>	<b>2,509,000</b>	<b>2,283,000</b>

### Project Funding

Code	Name	Existing Budget	Proposed Budget
134	HSIP-Highway Safety Improvements	1,666,000	1,393,100
221	Gas Tax/HUTA	843,000	889,900
<b>Totals</b>		<b>2,509,000</b>	<b>2,283,000</b>

### Comments

# Attachment "A"

Riverside County Transportation Department

Project: **Gilman Springs Rd/State St & Soboba Rd Traffic Signal and Lighting**

Project No.(s): **C5-0065**

### Project Costs and Budget

Activity	Incurred Costs	Projected Costs	Total Costs	Existing Budget	Proposed Budget
Preliminary Survey	22,919		22,919	23,000	23,000
Environmental	45,904		45,904	46,000	46,000
Design	105,606	10,394	116,000	98,000	116,000
Right-of-way					
Utilities				9,000	
Construction		521,446	574,000		
Construction Contingency 10%		52,145		467,000	616,000
Signal Pole Equipment	42,017		42,017		
Construction Engineering & Inspection 17.5%	10,245	90,000	100,245	59,000	100,000
Construction Survey 10.0%	64	40,000	40,064	40,000	40,000
<b>Totals:</b>	<b>226,755</b>	<b>713,985</b>	<b>941,149</b>	<b>742,000</b>	<b>941,000</b>

### Project Funding

Code	Name	Existing Budget	Proposed Budget
369	West County DIF Signal Mitigation Fund	742,000	747,000
221	Gas Tax/HUTA		194,000
<b>Totals</b>		<b>742,000</b>	<b>941,000</b>

### Comments

The total construction cost for the signal is \$415,056 (Including 10 percent). Total projected cost for construction engineering and inspection for the signal is \$65,000. The total construction cost for the pavement rehabilitation work is \$158,535 (Including 10 percent). Total projected for cost construction engineering and inspection for the pavement rehabilitation is \$25,000. \$10,000 for design and addendum preparation for pavement rehabilitation.

# Attachment "A"

Riverside County Transportation Department

**Project:** Gilman Springs Road Curve Realignment Project and Gilman Springs Rd/State St & Soboba Rd Traffic Signal and Lighting

**Project No.(s):** C4-0079 & C5-0065

### Project Costs and Budget

Activity	Incurred Costs	Projected Costs	Total Costs	Existing Budget	Proposed Budget
Preliminary Survey	22,919		22,919	23,000	23,000
Environmental	291,336	2,568	293,904	296,000	294,000
Design	538,342	13,658	552,000	468,000	552,000
Right-of-way					
Utilities				9,000	
Construction		1,672,671	1,841,000		
Construction Contingency 10%		167,267		2,031,000	1,883,000
Signal Pole Equipment	42,017		42,017		
Construction Engineering & Inspection	41,361	290,884	332,245	284,000	332,000
Construction Survey	64	140,000	140,064	140,000	140,000
<b>Totals:</b>	<b>936,039</b>	<b>2,287,048</b>	<b>3,224,149</b>	<b>3,251,000</b>	<b>3,224,000</b>

### Project Funding

Code	Name	Existing Budget	Proposed Budget
369	West County DIF Signal Mitigation Fund	742,000	747,000
221	Gas Tax/HUTA	843,000	1,083,900
134	HSIP-Highway Safety Improvements	1,666,000	1,393,100
<b>Totals</b>		<b>3,251,000</b>	<b>3,224,000</b>

### Comments

## Form 11 Attachment

### Contract/Lease/Purchase Summary Data

**Contract (for Services)**

- Approval/Renewal
- Sole Source
- Personal Services
- Independent Contractor
- Other than Low Bid
- Change Order
- Public Works

**Lease**

- Approval/Renewal
- Multi-Year Lease
- Equipment
- Real Property
- Change Order

**Purchase (for Materials)**

- Sole Source
- Other than Low Bid
- Change Order

**Selection Committee Member Names (RFP's Only)**

<b>User Department:</b>	Transportation Department
-------------------------	---------------------------

N/A

<b>Vendor/Lessor Name:</b>	All American Asphalt
----------------------------	----------------------

**Minority Status:**  M  W  DV  None

<b>Vendor/Lessor Location:</b>	Corona, CA
--------------------------------	------------

**Local Preference Applied:**  Yes  No  N/A

**Local Preference Award Cost \$**  
(5% maximum preference)

**Local Preference FYTD: Cost \$** **# of Orders**

**Applicable Board Policy #**

**Comments:**

**RFQ/RFP Process:**

Date Mailed:  
Response Date:  
# of Responses:  
# of Qualified Responses:

**Bidding Process:**

Bid Range: \$ 1,622,671.20 to \$ 2,017,725.09  
Local Bid Range: N/A  
Responsive and Responsible Bid Range: \$ 1,622,671.20 to \$ 2,017,725.09

**Contract/Lease Renewals Only**

Existing Agreement Items

Proposed Agreement Items

1. Rates
2. Terms
3. Conditions
4. Legal Issues
5. Accountability
6. Utilities

(continue on blank sheet if necessary)

**NOTE: COMPETITIVELY BID PUBLIC WORKS CONTRACT**



**Riverside County Transportation Department  
Summary of Bids**

Project BOS Approval: April 26, 2016 (Agenda Item No. 3-36)

Start Advertisement: June 25, 2016

Addenda: 1 (6/21/2016), 2 (7/14/2016), 3 (7/26/2016), 4 (7/28/2016), 5 (8/4/2016), 6 (8/9/16)

Bids Open: 2 pm Date: Wednesday, August 10, 2016

PROJECT: Gilman Springs Road

Improve Horizontal and Vertical Alignments and Other Roadway Safety Features  
0.5 Mile Segment Approximately 1,000-feet Westerly of Soboba Road; and  
Traffic Signal at the Intersection of Soboba Road

Project No. C4-0079, C5-0065, Federal Aid No. HSIPL-5956(237)

BASE BID SCHEDULE 1: GILMAN SPRINGS ROAD CURVE REALIGNMENT PROJECT						COUNTY'S ESTIMATE		1 All American Asphalt Corona, CA 92878	
ITEM NO.	ITEM CODE	CONTRACT ITEM	Like Bid Item	UNITS	QUANTITY	UNIT PRICE	ENG ESTIMATE	BID UNIT PRICE	BID ESTIMATE
1	760090	MOBILIZATION, DEMOBILIZATION AND FINAL CLEANUP		LS	1	140,000.00	140,000.00	73,500.00	73,500.00
2	170101	DEVELOP WATER SUPPLY		LS	1	5,000.00	5,000.00	1,000.00	1,000.00
3	066102	DUST ABATEMENT		LS	1	5,000.00	5,000.00	1,100.00	1,100.00
4	074020	WATER POLLUTION CONTROL		LS	1	25,000.00	25,000.00	14,000.00	14,000.00
5	120100	TRAFFIC CONTROL SYSTEM		LS	1	40,000.00	40,000.00	65,000.00	65,000.00
6	128651	PORTABLE CHANGEABLE MESSAGE SIGN		EA	6	4,000.00	24,000.00	2,600.00	15,600.00
7	150605	REMOVE FENCE		LF	175	20.00	3,500.00	9.10	1,592.50
8	160102	CLEARING AND GRUBBING		LS	1	40,000.00	40,000.00	40,000.00	40,000.00
9	190101(F)	ROADWAY EXCAVATION	Like 1	CY	7,000	25.00	175,000.00	14.40	100,800.00
10	198010(F)	IMPORTED BORROW		CY	2,100	30.00	63,000.00	24.55	51,555.00
11	390137	RUBBERIZED HOT MIX ASPHALT (GAP GRADED)	Like 2	TON	1,400	89.00	124,600.00	80.77	113,078.00
12	390130	HOT MIX ASPHALT	Like 3	TON	2,700	79.00	213,300.00	74.12	200,124.00
13	260203	CLASS 2 AGGREGATE BASE	Like 4	CY	2,300	35.00	80,500.00	28.50	65,550.00
14	394073	PLACE HOT MIX ASPHALT DIKE (TYPE A)		LF	2,150	6.00	12,900.00	3.40	7,310.00
15	394074	PLACE HOT MIX ASPHALT DIKE (TYPE C)		LF	130	6.00	780.00	3.40	442.00
16	840656	PAINT TRAFFIC STRIPE (2-COAT)	Like 5	LF	8,000	1.00	8,000.00	0.17	1,360.00
17	850111	PAVEMENT MARKER (RETROREFLECTIVE)	Like 6	EA	220	4.50	990.00	2.70	594.00
18	152386	RELOCATE ROADSIDE SIGN-ONE POST	Like 7	EA	9	250.00	2,250.00	116.00	1,044.00
19	566011	ROADSIDE SIGN - ONE POST		EA	30	250.00	7,500.00	201.00	6,030.00
20	832005	MIDWEST GUARDRAIL SYSTEM	Like 8	LF	2,596	30.00	77,880.00	28.70	74,505.20
21	820107	DELINEATOR (CLASS 1)		EA	130	56.00	7,280.00	58.00	7,540.00
22	839585	ALTERNATIVE FLARED TERMINAL SYSTEM	Like 9	EA	7	3,000.00	21,000.00	2,925.00	20,475.00
23	150809	REMOVE CULVERT		LF	45	50.00	2,250.00	169.00	7,605.00
24	650034	48" REINFORCED CONCRETE PIPE		LF	71	600.00	42,600.00	593.00	42,103.00
25	510502	MINOR CONCRETE (MINOR STRUCTURE) [HEADWALLS AND WINGWALLS] (INCLUDING ENERGY DISSIPATOR)		CY	65	1,500.00	97,500.00	1,025.00	66,625.00
26	520101	BAR REINFORCING STEEL [HEADWALL AND WINGWALLS] (INCLUDING ENERGY DISSIPATOR)		LB	7,530	2.00	15,060.00	1.25	9,412.50
27	510526	MINOR CONCRETE (BACKFILL)		CY	25	334.00	8,350.00	146.00	3,650.00
28	151512	RECONSTRUCT INLET (CALTRANS STD D74B TYPE GDO)		EA	2	5,000.00	10,000.00	5,040.00	10,080.00
29	721026	ROCK SLOPE PROTECTION (BACKING NO. 1, METHOD B)		CY	200	260.00	52,000.00	95.80	19,160.00
30	729011	ROCK SLOPE PROTECTION FABRIC (CLASS 8)		SQYD	300	30.00	9,000.00	4.05	1,215.00
31	066201	EROSION CONTROL (HYDROSEED)		ACRE	4	6,000.00	24,000.00	13,500.00	54,000.00
32	394090	PLACE HOT MIX ASPHALT (MISCELLANEOUS AREA) [OVERSIDE DRAIN]		SQYD	20	155.00	3,100.00	75.65	1,513.00
33	010601	OBTAIN ENCROACHMENT PERMIT		LS	1	5,000.00	5,000.00	1,000.00	1,000.00
34	731507	MINOR CONCRETE (GUTTER DEPRESSION) (CALTRANS STD D78C)		CY	5	830.00	4,150.00	505.00	2,525.00
35	000003	INSTALL PIPE SWING GATE (RCFC&WD M820)		EA	2	1,500.00	3,000.00	3,045.00	6,090.00

**Riverside County Transportation Department  
Summary of Bids**

Project BOS Approval: April 26, 2016 (Agenda Item No. 3-36)  
 Start Advertisement: June 25, 2016  
 Addenda: 1 (6/21/2016), 2 (7/14/2016), 3 (7/26/2016), 4 (7/28/2016), 5 (8/4/2016), 6 (8/9/16)  
 Bids Open: 2 pm Date: Wednesday, August 10, 2016

PROJECT: Gilman Springs Road  
 Improve Horizontal and Vertical Alignments and Other Roadway Safety Features  
 0.5 Mile Segment Approximately 1,000-feet Westerly of Soboba Road; and  
 Traffic Signal at the Intersection of Soboba Road  
 Project No. C4-0079, C5-0065, Federal Aid No. HSIPL-5956(237)

BASE BID SCHEDULE 1: GILMAN SPRINGS ROAD CURVE REALIGNMENT PROJECT						COUNTY'S ESTIMATE		All American Asphalt Corona, CA 92878	
ITEM NO.	ITEM CODE	CONTRACT ITEM	Like Bid Item	UNITS	QUANTITY	UNIT PRICE	ENG ESTIMATE	BID UNIT PRICE	BID ESTIMATE
36	141000	TEMPORARY FENCE (TYPE ESA)		LF	3,000	5.00	15,000.00	2.45	7,350.00
37	120165	CHANNELIZER (SURFACE MOUNTED)		EA	8	50.00	400.00	20.20	161.60
37.A	000003	ADJUST TO GRADE EXISTING FIRE HYDRANT (PER EMWD STD B-365), ONE LOCATION, STA 10+30		EA	1	1,100.00	1,100.00	1,465.00	1,465.00
37.B	000003	INSTALL GUARDS AND MARKER POSTS (PER EMWD STD B-865), TWO LOCATIONS, STA 17+20 AND STA 33+90		EA	2	800.00	1,600.00	1,210.00	2,420.00
37.C	800360	CHAIN LINK FENCE		LF	50	93.00	4,650.00	53.00	2,650.00
<b>BASE BID SCHEDULE 1 TOTAL ITEMS 1 - 37.C</b>							<b>1,376,240.00</b>		<b>1,101,224.80</b>

BASE BID SCHEDULE 2: GILMAN SPRINGS ROAD AND SOBOBA ROAD TRAFFIC SIGNAL; AND PAVEMENT REHABILITATION						COUNTY'S ESTIMATE		All American Asphalt Corona, CA 92878	
ITEM NO.	ITEM CODE	CONTRACT ITEM	Like Bid Item	UNITS	QUANTITY	UNIT PRICE	ENG ESTIMATE	BID UNIT PRICE	BID ESTIMATE
38	190101 (F)	ROADWAY EXCAVATION	Like 1	CY	175	25.00	4,375.00	14.40	2,520.00
39	390137	RUBBERIZED HOT MIX ASPHALT (GAP GRADED)	Like 2	TON	40	89.00	3,560.00	80.77	3,230.80
40	039013	HOT MIX ASPHALT	Like 3	TON	780	79.00	61,620.00	74.12	57,813.60
41	260201	CLASS 2 AGGREGATE BASE	Like 4	CY	40	35.00	1,400.00	28.50	1,140.00
42	840656	PAINT TRAFFIC STRIPE (2-COAT)	Like 5	LF	32,100	1.00	32,100.00	0.17	5,457.00
43	850111	PAVEMENT MARKER (RETROREFLECTIVE)	Like 6	EA	1,020	4.50	4,590.00	2.70	2,754.00
44	152386	RELOCATE ROADSIDE SIGN-ONE POST	Like 7	EA	2	250.00	500.00	116.00	232.00
45	832005	MIDWEST GUARDRAIL SYSTEM	Like 8	LF	268	30.00	8,040.00	28.70	7,691.60
46	839585	ALTERNATIVE FLARED TERMINAL SYSTEM	Like 9	EA	3	3,000.00	9,000.00	2,925.00	8,775.00
47	066102	DUST ABATEMENT		LS	1	8,000.00	8,000.00	1,100.00	1,100.00
48	120100	TRAFFIC CONTROL SYSTEM		LS	1	15,000.00	15,000.00	7,000.00	7,000.00
49	074020	WATER POLLUTION CONTROL		LS	1	\$2,000.00	2,000.00	800.00	800.00
50	170101	DEVELOP WATER SUPPLY		LS	1	2,000.00	2,000.00	505.00	505.00
51	160101	CLEARING AND GRUBBING		LS	1	12,000.00	12,000.00	12,000.00	12,000.00
52	150662	REMOVE METAL BEAM GUARD RAILING		LF	450	15.00	6,750.00	8.05	3,622.50
53	197010 (F)	PLACE AND COMPACT EMBANKMENT		CY	1,100	25.00	27,500.00	18.75	20,625.00
54	394090	PLACE ASPHALT CONCRETE (MISCELLANEOUS AREA) [AC RAMP TRANSITIONS, 3" HMA PAVED AREA]		SQYD	200	10.00	2,000.00	25.90	5,180.00
55	017306	MINOR CONCRETE (CURB RAMP) (CRS 403)		EA	3	4,500.00	13,500.00	3,280.00	9,840.00
56	731623	MINOR CONCRETE (CURB RAMP) [CASE CM PER CALTRANS RSP A88B]		EA	2	2,000.00	4,000.00	3,115.00	6,230.00
57	731521	MINOR CONCRETE (SIDEWALK)		SQFT	350	10.00	3,500.00	9.80	3,430.00
58	017309	MINOR CONCRETE (TYPE "D" CURB) (CRS 204)		LF	50	30.00	1,500.00	22.45	1,122.50

**Riverside County Transportation Department  
Summary of Bids**

Project BOS Approval: April 26, 2016 (Agenda Item No. 3-36)

Start Advertisement: June 25, 2016

Addenda: 1 (6/21/2016), 2 (7/14/2016), 3 (7/26/2016), 4 (7/28/2016), 5 (8/4/2016), 6 (8/9/16)

Bids Open: 2 pm Date: Wednesday, August 10, 2016

PROJECT: Gilman Springs Road

Improve Horizontal and Vertical Alignments and Other Roadway Safety Features  
0.5 Mile Segment Approximately 1,000-feet Westerly of Soboba Road; and  
Traffic Signal at the Intersection of Soboba Road

Project No. C4-0079, C5-0065, Federal Aid No. HSIPL-5956(237)

BASE BID SCHEDULE 2: GILMAN SPRINGS ROAD AND SOBOBA ROAD TRAFFIC SIGNAL; AND PAVEMENT REHABILITATION						COUNTY'S ESTIMATE		1 All American Asphalt Corona, CA 92878	
ITEM NO.	ITEM CODE	CONTRACT ITEM	Like Bid Item	UNITS	QUANTITY	UNIT PRICE	ENG ESTIMATE	BID UNIT PRICE	BID ESTIMATE
59	017304	MINOR CONCRETE (CURB AND GUTTER) (CRS 200)		LF	15	30.00	450.00	41.10	616.50
60	731516	MINOR CONCRETE (DRIVEWAY)		SQFT	825	10.00	8,250.00	11.70	9,652.50
61	839514	HANDRAILING [APWA STD 606-3, TYPE B]		LF	40	50.00	2,000.00	75.65	3,026.00
62	833077	PEDESTRIAN BARRICADE		EA	1	250.00	250.00	797.00	797.00
63	013902	ASPHALT CONCRETE OVERSIDE DRAIN (CRS 306)		EA	1	1,000.00	1,000.00	530.00	530.00
64	720000	ROCK SLOPE PROTECTION		CY	15	100.00	1,500.00	95.80	1,437.00
65	665024	24" CORRUGATED STEEL PIPE (.109" THICK)		LF	8	100.00	800.00	303.00	2,424.00
66	839584	ALTERNATIVE IN-LINE TERMINAL SYSTEM		EA	1	2,500.00	2,500.00	3,100.00	3,100.00
67	000003	CONSTRUCT MGS CONNECTION TO BRIDGE RAILING [NOTE 37]		EA	2	1,500.00	3,000.00	3,500.00	7,000.00
68	860201	SIGNAL AND LIGHTING		LS	1	157,000.00	157,000.00	187,000.00	187,000.00
69	840515	THERMOPLASTIC PAVEMENT MARKING		SQFT	865	5.00	4,325.00	1.41	1,219.65
70	150710	REMOVE TRAFFIC STRIPE		LF	23,600	0.50	11,800.00	0.10	2,360.00
71	150715	REMOVE THERMOPLASTIC PAVEMENT MARKING		SQFT	1,065	1.50	1,597.50	0.65	692.25
72	150742	REMOVE (AND SALVAGE) ROADSIDE SIGN (AND POST)		EA	11	150.00	1,650.00	50.50	555.50
73	566012	ROADSIDE SIGN - TWO POST		EA	2	250.00	500.00	202.00	404.00
74	562004	METAL (RAIL MOUNTED SIGN)		EA	2	250.00	500.00	303.00	606.00
75	568001	INSTALL SIGN (STRAP AND SADDLE BRACKET METHOD)		EA	1	250.00	250.00	101.00	101.00
76	015602	FUNDING AWARENESS SIGN		EA	2	1,000.00	2,000.00	1,100.00	2,200.00
77	760090	MOBILIZATION, DEMOBILIZATION AND FINAL CLEANUP		LS	1	10,000.00	10,000.00	10,000.00	10,000.00
78	010602	MISCELLANEOUS WORK (AS DIRECTED)		FA	1	50,000.00	50,000.00	50,000.00	50,000.00
79	153103	COLD PLANE ASPHALT CONCRETE PAVEMENT		SQYD	4,450	2.00	8,900.00	2.00	8,900.00
80	377501	SLURRY SEAL [ TYPE III ]		TON	355	250.00	88,750.00	182.00	64,610.00
81	374002	ASPHALTIC EMULSION (FOG SEAL COAT)		SQYD	7,750	2.50	19,375.00	0.32	2,480.00
82	150714	REMOVE THERMOPLASTIC TRAFFIC STRIPE		LF	1,110	2.00	2,220.00	0.10	111.00
83	840501	THERMOPLASTIC TRAFFIC STRIPE		LF	1,110	4.00	4,440.00	0.50	555.00
<b>BASE BID SCHEDULE 2 TOTAL ITEMS 38 - 83</b>							<b>605,992.50</b>		<b>521,446.40</b>

BASE BID SCHEDULES 1 AND 2 TOTAL ITEMS 1 - 83		COUNTY'S ESTIMATE	1 All American Asphalt Corona, CA 92878
		<b>1,982,232.50</b>	<b>1,622,671.20</b>

**Riverside County Transportation Department  
Summary of Bids**

Project BOS Approval: April 26, 2016 (Agenda Item No. 3-36)

Start Advertisement: June 25, 2016

Addenda: 1 (6/21/2016), 2 (7/14/2016), 3 (7/26/2016), 4 (7/28/2016), 5 (8/4/2016), 6 (8/9/16)

Bids Open: 2 pm Date: Wednesday, August 10, 2016

**PROJECT: Gilman Springs Road  
Improve Horizontal and Vertical Alignments and Other Roadway Safety Features  
0.5 Mile Segment Approximately 1,000-feet Westerly of Soboba Road; and  
Traffic Signal at the Intersection of Soboba Road  
Project No. C4-0079, C5-0065, Federal Aid No. HSIPL-5956(237)**

BASE BID SCHEDULE 1: GILMAN SPRINGS ROAD CURVE REALIGNMENT PROJECT						2 Riverside Construction Co., Inc. Riverside, CA 92502		3 Hal Hays Construction, Inc. Riverside, CA 92501	
ITEM NO.	ITEM CODE	CONTRACT ITEM	Like Bid Item	UNITS	QUANTITY	BID UNIT PRICE	BID ESTIMATE	BID UNIT PRICE	BID ESTIMATE
1	760090	MOBILIZATION, DEMOBILIZATION AND FINAL CLEANUP		LS	1	120,000.00	120,000.00	53,893.87	53,893.87
2	170101	DEVELOP WATER SUPPLY		LS	1	5,000.00	5,000.00	1,500.00	1,500.00
3	066102	DUST ABATEMENT		LS	1	5,000.00	5,000.00	25,100.00	25,100.00
4	074020	WATER POLLUTION CONTROL		LS	1	52,000.00	52,000.00	33,000.00	33,000.00
5	120100	TRAFFIC CONTROL SYSTEM		LS	1	68,000.00	68,000.00	10,600.00	10,600.00
6	128651	PORTABLE CHANGEABLE MESSAGE SIGN		EA	6	2,500.00	15,000.00	2,800.00	16,800.00
7	150605	REMOVE FENCE		LF	175	7.00	1,225.00	10.00	1,750.00
8	160102	CLEARING AND GRUBBING		LS	1	40,000.00	40,000.00	53,600.00	53,600.00
9	190101(F)	ROADWAY EXCAVATION	Like 1	CY	7,000	30.00	210,000.00	14.25	99,750.00
10	198010(F)	IMPORTED BORROW		CY	2,100	18.00	37,800.00	60.50	127,050.00
11	390137	RUBBERIZED HOT MIX ASPHALT (GAP GRADED)	Like 2	TON	1,400	78.00	109,200.00	92.35	129,290.00
12	390130	HOT MIX ASPHALT	Like 3	TON	2,700	62.00	167,400.00	74.20	200,340.00
13	260203	CLASS 2 AGGREGATE BASE	Like 4	CY	2,300	45.00	103,500.00	35.50	81,650.00
14	394073	PLACE HOT MIX ASPHALT DIKE (TYPE A)		LF	2,150	2.00	4,300.00	5.00	10,750.00
15	394074	PLACE HOT MIX ASPHALT DIKE (TYPE C)		LF	130	2.00	260.00	4.10	533.00
16	840656	PAINT TRAFFIC STRIPE (2-COAT)	Like 5	LF	8,000	0.17	1,360.00	0.66	5,280.00
17	850111	PAVEMENT MARKER (RETROREFLECTIVE)	Like 6	EA	220	2.75	605.00	3.50	770.00
18	152386	RELOCATE ROADSIDE SIGN-ONE POST	Like 7	EA	9	120.00	1,080.00	245.00	2,205.00
19	566011	ROADSIDE SIGN - ONE POST		EA	30	300.00	9,000.00	310.00	9,300.00
20	832005	MIDWEST GUARDRAIL SYSTEM	Like 8	LF	2,596	23.00	59,708.00	32.00	83,072.00
21	820107	DELINEATOR (CLASS 1)		EA	130	40.00	5,200.00	100.00	13,000.00
22	839585	ALTERNATIVE FLARED TERMINAL SYSTEM	Like 9	EA	7	2,800.00	19,600.00	2,910.00	20,370.00
23	150809	REMOVE CULVERT		LF	45	18.00	810.00	14.00	630.00
24	650034	48" REINFORCED CONCRETE PIPE		LF	71	210.00	14,910.00	245.00	17,395.00
25	510502	MINOR CONCRETE (MINOR STRUCTURE) [HEADWALLS AND WINGWALLS] (INCLUDING ENERGY DISSIPATOR)		CY	65	1,300.00	84,500.00	1,347.00	87,555.00
26	520101	BAR REINFORCING STEEL [HEADWALL AND WINGWALLS] (INCLUDING ENERGY DISSIPATOR)		LB	7,530	1.75	13,177.50	1.10	8,283.00
27	510526	MINOR CONCRETE (BACKFILL)		CY	25	200.00	5,000.00	170.00	4,250.00
28	151512	RECONSTRUCT INLET (CALTRANS STD D74B TYPE GDO)		EA	2	2,500.00	5,000.00	1,640.00	3,280.00
29	721026	ROCK SLOPE PROTECTION (BACKING NO. 1, METHOD B)		CY	200	100.00	20,000.00	110.00	22,000.00
30	729011	ROCK SLOPE PROTECTION FABRIC (CLASS 8)		SQYD	300	10.00	3,000.00	3.00	900.00
31	066201	EROSION CONTROL (HYDROSEED)		ACRE	4	12,000.00	48,000.00	15,300.00	61,200.00
32	394090	PLACE HOT MIX ASPHALT (MISCELLANEOUS AREA) [OVERSIDE DRAIN]		SQYD	20	50.00	1,000.00	66.00	1,320.00
33	010601	OBTAIN ENCROACHMENT PERMIT		LS	1	500.00	500.00	6,430.00	6,430.00
34	731507	MINOR CONCRETE (GUTTER DEPRESSION) (CALTRANS STD D78C)		CY	5	450.00	2,250.00	470.00	2,350.00
35	000003	INSTALL PIPE SWING GATE (RCFC&WD M820)		EA	2	3,200.00	6,400.00	4,625.00	9,250.00

**Riverside County Transportation Department  
Summary of Bids**

**Project BOS Approval: April 26, 2016 (Agenda Item No. 3-36)**  
**Start Advertisement: June 25, 2016**  
**Addenda: 1 (6/21/2016), 2 (7/14/2016), 3 (7/26/2016), 4 (7/28/2016), 5 (8/4/2016), 6 (8/9/16)**  
**Bids Open: 2 pm Date: Wednesday, August 10, 2016**

**PROJECT: Gilman Springs Road  
 Improve Horizontal and Vertical Alignments and Other Roadway Safety Features  
 0.5 Mile Segment Approximately 1,000-feet Westerly of Soboba Road; and  
 Traffic Signal at the Intersection of Soboba Road  
 Project No. C4-0079, C5-0065, Federal Aid No. HSIPL-5956(237)**

BASE BID SCHEDULE 1: GILMAN SPRINGS ROAD CURVE REALIGNMENT PROJECT						2 Riverside Construction Co., Inc. Riverside, CA 92502		3 Hal Hays Construction, Inc. Riverside, CA 92501	
ITEM NO.	ITEM CODE	CONTRACT ITEM	Like Bid Item	UNITS	QUANTITY	BID UNIT PRICE	BID ESTIMATE	BID UNIT PRICE	BID ESTIMATE
36	141000	TEMPORARY FENCE (TYPE ESA)		LF	3,000	5.00	15,000.00	3.65	10,950.00
37	120165	CHANNELIZER (SURFACE MOUNTED)		EA	8	40.00	320.00	51.00	408.00
37.A	000003	ADJUST TO GRADE EXISTING FIRE HYDRANT (PER EMWD STD B-365), ONE LOCATION, STA 10+30		EA	1	1,500.00	1,500.00	1,100.00	1,100.00
37.B	000003	INSTALL GUARDS AND MARKER POSTS (PER EMWD STD B-665), TWO LOCATIONS, STA 17+20 AND STA 33+90		EA	2	250.00	500.00	120.00	240.00
37.C	800360	CHAIN LINK FENCE		LF	50	100.00	5,000.00	50.00	2,500.00
<b>BASE BID SCHEDULE 1 TOTAL ITEMS 1 - 37.C</b>							<b>1,262,105.50</b>		<b>1,219,644.87</b>

BASE BID SCHEDULE 2: GILMAN SPRINGS ROAD AND SOBOBA ROAD TRAFFIC SIGNAL; AND PAVEMENT REHABILITATION						2 Riverside Construction Co., Inc. Riverside, CA 92502		3 Hal Hays Construction, Inc. Riverside, CA 92501	
ITEM NO.	ITEM CODE	CONTRACT ITEM	Like Bid Item	UNITS	QUANTITY	BID UNIT PRICE	BID ESTIMATE	BID UNIT PRICE	BID ESTIMATE
38	190101 (F)	ROADWAY EXCAVATION	Like 1	CY	175	30.00	5,250.00	14.25	2,493.75
39	390137	RUBBERIZED HOT MIX ASPHALT (GAP GRADED)	Like 2	TON	40	78.00	3,120.00	92.35	3,694.00
40	039013	HOT MIX ASPHALT	Like 3	TON	780	62.00	48,360.00	74.20	57,876.00
41	260201	CLASS 2 AGGREGATE BASE	Like 4	CY	40	45.00	1,800.00	35.50	1,420.00
42	840656	PAINT TRAFFIC STRIPE (2-COAT)	Like 5	LF	32,100	0.17	5,457.00	0.66	21,186.00
43	650111	PAVEMENT MARKER (RETROREFLECTIVE)	Like 6	EA	1,020	2.75	2,805.00	3.50	3,570.00
44	152386	RELOCATE ROADSIDE SIGN-ONE POST	Like 7	EA	2	120.00	240.00	245.00	490.00
45	632005	MIDWEST GUARDRAIL SYSTEM	Like 8	LF	268	23.00	6,164.00	32.00	8,576.00
46	639585	ALTERNATIVE FLARED TERMINAL SYSTEM	Like 9	EA	3	2,800.00	8,400.00	2,910.00	8,730.00
47	066102	DUST ABATEMENT		LS	1	5,000.00	5,000.00	2,325.00	2,325.00
48	120100	TRAFFIC CONTROL SYSTEM		LS	1	20,000.00	20,000.00	1,000.00	1,000.00
49	074020	WATER POLLUTION CONTROL		LS	1	500.00	500.00	14,500.00	14,500.00
50	170101	DEVELOP WATER SUPPLY		LS	1	2,000.00	2,000.00	900.00	900.00
51	160101	CLEARING AND GRUBBING		LS	1	12,000.00	12,000.00	15,050.00	15,050.00
52	150662	REMOVE METAL BEAM GUARD RAILING		LF	450	8.00	3,600.00	11.20	5,040.00
53	197010 (F)	PLACE AND COMPACT EMBANKMENT		CY	1,100	35.00	38,500.00	18.00	19,800.00
54	394090	PLACE ASPHALT CONCRETE (MISCELLANEOUS AREA) (AC RAMP TRANSITIONS, 3" HMA PAVED AREA)		SQYD	200	10.00	2,000.00	37.00	7,400.00
55	017306	MINOR CONCRETE (CURB RAMP) (CRS 403)		EA	3	2,500.00	7,500.00	2,400.00	7,200.00
56	731623	MINOR CONCRETE (CURB RAMP) [CASE CM PER CALTRANS RSP A88B]		EA	2	2,000.00	4,000.00	2,900.00	5,800.00
57	731521	MINOR CONCRETE (SIDEWALK)		SQFT	350	12.00	4,200.00	18.00	6,300.00
58	017309	MINOR CONCRETE (TYPE "D" CURB) (CRS 204)		LF	50	30.00	1,500.00	49.00	2,450.00

**Riverside County Transportation Department  
Summary of Bids**

Project BOS Approval: April 26, 2016 (Agenda Item No. 3-36)  
 Start Advertisement: June 25, 2016  
 Addenda: 1 (6/21/2016), 2 (7/14/2016), 3 (7/26/2016), 4 (7/28/2016), 5 (8/4/2016), 6 (8/9/16)  
 Bids Open: 2 pm Date: Wednesday, August 10, 2016

**PROJECT: Gilman Springs Road  
 Improve Horizontal and Vertical Alignments and Other Roadway Safety Features  
 0.5 Mile Segment Approximately 1,000-feet Westerly of Soboba Road; and  
 Traffic Signal at the Intersection of Soboba Road  
 Project No. C4-0079, C5-0065, Federal Aid No. HSIPL-5956(237)**

BASE BID SCHEDULE 2: GILMAN SPRINGS ROAD AND SOBOBA ROAD TRAFFIC SIGNAL; AND PAVEMENT REHABILITATION						2 Riverside Construction Co., Inc. Riverside, CA 92502		3 Hal Hays Construction, Inc. Riverside, CA 92501	
ITEM NO.	ITEM CODE	CONTRACT ITEM	Like Bid Item	UNITS	QUANTITY	BID UNIT PRICE	BID ESTIMATE	BID UNIT PRICE	BID ESTIMATE
59	017304	MINOR CONCRETE (CURB AND GUTTER) (CRS 200)		LF	15	35.00	525.00	133.00	1,995.00
60	731516	MINOR CONCRETE (DRIVEWAY)		SQFT	825	7.00	5,775.00	10.00	8,250.00
61	839514	HANDRAILING (APWA STD 606-3, TYPE B)		LF	40	180.00	7,200.00	152.00	6,080.00
62	833077	PEDESTRIAN BARRICADE		EA	1	1,500.00	1,500.00	1,990.58	1,990.58
63	013902	ASPHALT CONCRETE OVERSIDE DRAIN (CRS 305)		EA	1	850.00	850.00	2,440.00	2,440.00
64	720000	ROCK SLOPE PROTECTION		CY	15	100.00	1,500.00	116.00	1,740.00
65	665024	24" CORRUGATED STEEL PIPE (.109" THICK)		LF	8	200.00	1,600.00	210.00	1,680.00
66	839584	ALTERNATIVE IN-LINE TERMINAL SYSTEM		EA	1	3,300.00	3,300.00	4,000.00	4,000.00
67	000003	CONSTRUCT MGS CONNECTION TO BRIDGE RAILING (NOTE 37)		EA	2	3,800.00	7,600.00	4,000.00	8,000.00
68	860201	SIGNAL AND LIGHTING		LS	1	182,000.00	182,000.00	208,000.00	208,000.00
69	840515	THERMOPLASTIC PAVEMENT MARKING		SQFT	865	1.50	1,297.50	4.70	4,065.50
70	150710	REMOVE TRAFFIC STRIPE		LF	23,600	0.10	2,360.00	0.73	17,228.00
71	150715	REMOVE THERMOPLASTIC PAVEMENT MARKING		SQFT	1,065	1.00	1,065.00	2.34	2,492.10
72	150742	REMOVE (AND SALVAGE) ROADSIDE SIGN (AND POST)		EA	11	150.00	1,650.00	100.00	1,100.00
73	566012	ROADSIDE SIGN - TWO POST		EA	2	750.00	1,500.00	211.00	422.00
74	562004	METAL (RAIL MOUNTED SIGN)		EA	2	250.00	500.00	100.00	200.00
75	568001	INSTALL SIGN (STRAP AND SADDLE BRACKET METHOD)		EA	1	150.00	150.00	88.00	88.00
76	015602	FUNDING AWARENESS SIGN		EA	2	750.00	1,500.00	675.00	1,350.00
77	760090	MOBILIZATION, DEMOBILIZATION AND FINAL CLEANUP		LS	1	10,000.00	10,000.00	17,500.00	17,500.00
78	010602	MISCELLANEOUS WORK (AS DIRECTED)		FA	1	50,000.00	50,000.00	50,000.00	50,000.00
79	153103	COLD PLANE ASPHALT CONCRETE PAVEMENT		SQYD	4,450	3.00	13,350.00	2.10	9,345.00
80	377501	SLURRY SEAL [ TYPE III ]		TON	355	300.00	106,500.00	350.00	124,250.00
81	374002	ASPHALTIC EMULSION (FOG SEAL COAT)		SQYD	7,750	0.50	3,875.00	1.00	7,750.00
82	150714	REMOVE THERMOPLASTIC TRAFFIC STRIPE		LF	1,110	0.20	222.00	0.82	910.20
83	840501	THERMOPLASTIC TRAFFIC STRIPE		LF	1,110	0.50	555.00	1.20	1,332.00
		<b>BASE BID SCHEDULE 2 TOTAL ITEMS 38 - 83</b>					<b>588,770.50</b>		<b>678,009.13</b>

		2 Riverside Construction Co., Inc. Riverside, CA 92502		3 Hal Hays Construction, Inc. Riverside, CA 92501	
<b>BASE BID SCHEDULES 1 AND 2 TOTAL ITEMS 1 - 83</b>		<b>1,850,876.00</b>		<b>1,897,654.00</b>	

**Riverside County Transportation Department  
Summary of Bids**

Project BOS Approval: April 26, 2016 (Agenda Item No. 3-36)

Start Advertisement: June 25, 2016

Addenda: 1 (6/21/2016), 2 (7/14/2016), 3 (7/26/2016), 4 (7/28/2016), 5 (8/4/2016), 6 (8/9/16)

Bids Open: 2 pm Date: Wednesday, August 10, 2016

**PROJECT: Gilman Springs Road**

**Improve Horizontal and Vertical Alignments and Other Roadway Safety Features**

**0.5 Mile Segment Approximately 1,000-feet Westerly of Soboba Road; and**

**Traffic Signal at the Intersection of Soboba Road**

**Project No. C4-0079, C5-0065, Federal Aid No. HSIPL-5956(237)**

BASE BID SCHEDULE 1: GILMAN SPRINGS ROAD CURVE REALIGNMENT PROJECT						4 RJ Noble Company Orange, CA 92856		5 Vance Corporation Rialto, CA 92377	
ITEM NO.	ITEM CODE	CONTRACT ITEM	Like Bid Item	UNITS	QUANTITY	BID UNIT PRICE	BID ESTIMATE	BID UNIT PRICE	BID ESTIMATE
1	760090	MOBILIZATION, DEMOBILIZATION AND FINAL CLEANUP		LS	1	107,000.00	107,000.00	120,000.00	120,000.00
2	170101	DEVELOP WATER SUPPLY		LS	1	8,000.00	8,000.00	5,000.00	5,000.00
3	066102	DUST ABATEMENT		LS	1	15,000.00	15,000.00	5,600.00	5,600.00
4	074020	WATER POLLUTION CONTROL		LS	1	10,000.00	10,000.00	33,000.00	33,000.00
5	120100	TRAFFIC CONTROL SYSTEM		LS	1	46,000.00	46,000.00	40,000.00	40,000.00
6	128651	PORTABLE CHANGEABLE MESSAGE SIGN		EA	6	3,500.00	21,000.00	2,500.00	15,000.00
7	150605	REMOVE FENCE		LF	175	7.00	1,225.00	7.00	1,225.00
8	160102	CLEARING AND GRUBBING		LS	1	110,000.00	110,000.00	40,000.00	40,000.00
9	190101(F)	ROADWAY EXCAVATION	Like 1	CY	7,000	23.75	166,250.00	22.60	159,200.00
10	198010(F)	IMPORTED BORROW		CY	2,100	22.50	47,250.00	28.25	59,325.00
11	390137	RUBBERIZED HOT MIX ASPHALT (GAP GRADED)	Like 2	TON	1,400	75.75	106,050.00	100.00	140,000.00
12	390130	HOT MIX ASPHALT	Like 3	TON	2,700	62.75	169,425.00	80.00	216,000.00
13	260203	CLASS 2 AGGREGATE BASE	Like 4	CY	2,300	32.50	74,750.00	35.00	80,500.00
14	394073	PLACE HOT MIX ASPHALT DIKE (TYPE A)		LF	2,150	3.00	6,450.00	4.40	9,460.00
15	394074	PLACE HOT MIX ASPHALT DIKE (TYPE C)		LF	130	3.00	390.00	7.00	910.00
16	840656	PAINT TRAFFIC STRIPE (2-COAT)	Like 5	LF	8,000	0.18	1,440.00	0.18	1,440.00
17	850111	PAVEMENT MARKER (RETROREFLECTIVE)	Like 6	EA	220	2.80	616.00	2.84	624.80
18	152386	RELOCATE ROADSIDE SIGN-ONE POST	Like 7	EA	9	120.00	1,080.00	123.00	1,107.00
19	566011	ROADSIDE SIGN - ONE POST		EA	30	215.00	6,450.00	214.00	6,420.00
20	832005	MIDWEST GUARDRAIL SYSTEM	Like 8	LF	2,596	25.50	66,198.00	25.00	64,900.00
21	820107	DELINEATOR (CLASS 1)		EA	130	51.00	6,630.00	91.00	11,830.00
22	839585	ALTERNATIVE FLARED TERMINAL SYSTEM	Like 9	EA	7	2,950.00	20,650.00	2,970.00	20,790.00
23	150809	REMOVE CULVERT		LF	45	161.00	7,245.00	227.00	10,215.00
24	650034	48" REINFORCED CONCRETE PIPE		LF	71	340.00	24,140.00	630.00	44,730.00
25	510502	MINOR CONCRETE (MINOR STRUCTURE) (HEADWALLS AND WINGWALLS) (INCLUDING ENERGY DISSIPATOR)		CY	65	1,335.00	86,775.00	1,220.00	79,300.00
26	520101	BAR REINFORCING STEEL (HEADWALL AND WINGWALLS) (INCLUDING ENERGY DISSIPATOR)		LB	7,530	3.50	26,355.00	1.34	10,090.20
27	510526	MINOR CONCRETE (BACKFILL)		CY	25	290.00	7,250.00	163.00	4,075.00
28	151512	RECONSTRUCT INLET (CALTRANS STD D74B TYPE GDO)		EA	2	4,665.00	9,330.00	5,300.00	10,600.00
29	721026	ROCK SLOPE PROTECTION (BACKING NO. 1, METHOD B)		CY	200	165.00	33,000.00	113.00	22,600.00
30	729011	ROCK SLOPE PROTECTION FABRIC (CLASS 8)		SQYD	300	11.75	3,525.00	4.30	1,290.00
31	066201	EROSION CONTROL (HYDROSEED)		ACRE	4	12,700.00	50,800.00	13,400.00	53,600.00
32	394090	PLACE HOT MIX ASPHALT (MISCELLANEOUS AREA) (OVERSIDE DRAIN)		SQYD	20	130.00	2,600.00	225.00	4,500.00
33	010601	OBTAIN ENCROACHMENT PERMIT		LS	1	5,000.00	5,000.00	5,000.00	5,000.00
34	731507	MINOR CONCRETE (GUTTER DEPRESSION) (CALTRANS STD D78C)		CY	5	870.00	4,350.00	535.00	2,675.00
35	000003	INSTALL PIPE SWING GATE (RCFC&WD M820)		EA	2	3,350.00	6,700.00	3,400.00	6,800.00

**Riverside County Transportation Department  
Summary of Bids**

Project BOS Approval: April 26, 2016 (Agenda Item No. 3-36)  
 Start Advertisement: June 25, 2016  
 Addenda: 1 (6/21/2016), 2 (7/14/2016), 3 (7/26/2016), 4 (7/28/2016), 5 (8/4/2016), 6 (8/9/16)  
 Bids Open: 2 pm Date: Wednesday, August 10, 2016

PROJECT: Gilman Springs Road  
 Improve Horizontal and Vertical Alignments and Other Roadway Safety Features  
 0.5 Mile Segment Approximately 1,000-feet Westerly of Soboba Road; and  
 Traffic Signal at the Intersection of Soboba Road  
 Project No. C4-0079, C5-0065, Federal Aid No. HSIPL-5956(237)

BASE BID SCHEDULE 1: GILMAN SPRINGS ROAD CURVE REALIGNMENT PROJECT						4 RJ Noble Company Orange, CA 92856		5 Vance Corporation Rialto, CA 92377	
ITEM NO.	ITEM CODE	CONTRACT ITEM	Like Bid Item	UNITS	QUANTITY	BID UNIT PRICE	BID ESTIMATE	BID UNIT PRICE	BID ESTIMATE
36	141000	TEMPORARY FENCE (TYPE ESA)		LF	3,000	5.00	15,000.00	3.55	10,650.00
37	120165	CHANNELIZER (SURFACE MOUNTED)		EA	8	21.00	168.00	21.40	171.20
37.A	000003	ADJUST TO GRADE EXISTING FIRE HYDRANT (PER EMWD STD B-365), ONE LOCATION, STA 10+30		EA	1	4,600.00	4,600.00	1,550.00	1,550.00
37.B	000003	INSTALL GUARDS AND MARKER POSTS (PER EMWD STD B-665), TWO LOCATIONS, STA 17+20 AND STA 33+90		EA	2	2,975.00	5,950.00	5,100.00	10,200.00
37.C	800360	CHAIN LINK FENCE		LF	50	102.00	5,100.00	103.00	5,150.00
<b>BASE BID SCHEDULE 1 TOTAL ITEMS 1 - 37.C</b>							<b>1,289,742.00</b>		<b>1,314,528.20</b>

BASE BID SCHEDULE 2: GILMAN SPRINGS ROAD AND SOBOBA ROAD TRAFFIC SIGNAL; AND PAVEMENT REHABILITATION						4 RJ Noble Company Orange, CA 92856		5 Vance Corporation Rialto, CA 92377	
ITEM NO.	ITEM CODE	CONTRACT ITEM	Like Bid Item	UNITS	QUANTITY	BID UNIT PRICE	BID ESTIMATE	BID UNIT PRICE	BID ESTIMATE
38	190101 (F)	ROADWAY EXCAVATION	Like 1	CY	175	23.75	4,156.25	22.60	3,955.00
39	390137	RUBBERIZED HOT MIX ASPHALT (GAP GRADED)	Like 2	TON	40	75.75	3,030.00	100.00	4,000.00
40	039013	HOT MIX ASPHALT	Like 3	TON	780	62.75	48,945.00	80.00	62,400.00
41	260201	CLASS 2 AGGREGATE BASE	Like 4	CY	40	32.50	1,300.00	35.00	1,400.00
42	840656	PAINT TRAFFIC STRIPE (2-COAT)	Like 5	LF	32,100	0.18	5,778.00	0.18	5,778.00
43	850111	PAVEMENT MARKER (RETROREFLECTIVE)	Like 6	EA	1,020	2.80	2,856.00	2.84	2,896.80
44	152386	RELOCATE ROADSIDE SIGN-ONE POST	Like 7	EA	2	120.00	240.00	123.00	246.00
45	832005	MIDWEST GUARDRAIL SYSTEM	Like 8	LF	268	25.50	6,834.00	25.00	6,700.00
46	839585	ALTERNATIVE FLARED TERMINAL SYSTEM	Like 9	EA	3	2,950.00	8,850.00	2,970.00	8,910.00
47	066102	DUST ABATEMENT		LS	1	3,700.00	3,700.00	2,800.00	2,800.00
48	120100	TRAFFIC CONTROL SYSTEM		LS	1	3,200.00	3,200.00	33,000.00	33,000.00
49	074020	WATER POLLUTION CONTROL		LS	1	2,650.00	2,650.00	5,200.00	5,200.00
50	170101	DEVELOP WATER SUPPLY		LS	1	2,125.00	2,125.00	2,000.00	2,000.00
51	160101	CLEARING AND GRUBBING		LS	1	2,650.00	2,650.00	12,000.00	12,000.00
52	150662	REMOVE METAL BEAM GUARD RAILING		LF	450	16.50	7,425.00	16.60	7,470.00
53	197010 (F)	PLACE AND COMPACT EMBANKMENT		CY	1,100	31.00	34,100.00	34.00	37,400.00
54	394090	PLACE ASPHALT CONCRETE (MISCELLANEOUS AREA) [AC RAMP TRANSITIONS, 3" HMA PAVED AREA]		SQYD	200	52.00	10,400.00	25.00	5,000.00
55	017306	MINOR CONCRETE (CURB RAMP) (CRS 403)		EA	3	4,100.00	12,300.00	1,700.00	5,100.00
56	731623	MINOR CONCRETE (CURB RAMP) [CASE CM PER CALTRANS RSP A88B]		EA	2	4,100.00	8,200.00	2,030.00	4,060.00
57	731521	MINOR CONCRETE (SIDEWALK)		SQFT	350	8.50	2,975.00	7.90	2,765.00
58	017309	MINOR CONCRETE (TYPE "D" CURB) (CRS 204)		LF	50	69.50	3,475.00	40.00	2,000.00





**Riverside County Transportation Department  
Summary of Bids**

Project BOS Approval: April 26, 2016 (Agenda Item No. 3-36)

Start Advertisement: June 25, 2016

Addenda: 1 (6/21/2016), 2 (7/14/2016), 3 (7/26/2016), 4 (7/28/2016), 5 (8/4/2016), 6 (8/9/16)

Bids Open: 2 pm Date: Wednesday, August 10, 2016

PROJECT: Gilman Springs Road

Improve Horizontal and Vertical Alignments and Other Roadway Safety Features

0.5 Mile Segment Approximately 1,000-feet Westerly of Soboba Road; and

Traffic Signal at the Intersection of Soboba Road

Project No. C4-0079, C5-0065, Federal Aid No. HSIPL-5956(237)

BASE BID SCHEDULE 1: GILMAN SPRINGS ROAD CURVE REALIGNMENT PROJECT						6 Griffith Company Santa Fe Springs, CA 90670		7 Beador Construction Co., Inc. Corona, CA 92883	
ITEM NO.	ITEM CODE	CONTRACT ITEM	Like Bid Item	UNITS	QUANTITY	BID UNIT PRICE	BID ESTIMATE	BID UNIT PRICE	BID ESTIMATE
1	760090	MOBILIZATION, DEMOBILIZATION AND FINAL CLEANUP		LS	1	120,000.00	120,000.00	120,000.00	120,000.00
2	170101	DEVELOP WATER SUPPLY		LS	1	5,000.00	5,000.00	5,000.00	5,000.00
3	066102	DUST ABATEMENT		LS	1	9,000.00	9,000.00	7,500.00	7,500.00
4	074020	WATER POLLUTION CONTROL		LS	1	74,000.00	74,000.00	59,000.00	59,000.00
5	120100	TRAFFIC CONTROL SYSTEM		LS	1	71,000.00	71,000.00	81,651.00	81,651.00
6	128651	PORTABLE CHANGEABLE MESSAGE SIGN		EA	6	3,200.00	19,200.00	1,750.00	10,500.00
7	150605	REMOVE FENCE		LF	175	8.00	1,400.00	7.00	1,225.00
8	160102	CLEARING AND GRUBBING		LS	1	40,000.00	40,000.00	40,000.00	40,000.00
9	190101(F)	ROADWAY EXCAVATION	Like 1	CY	7,000	18.00	126,000.00	23.00	161,000.00
10	198010(F)	IMPORTED BORROW		CY	2,100	43.00	90,300.00	14.00	29,400.00
11	390137	RUBBERIZED HOT MIX ASPHALT (GAP GRADED)	Like 2	TON	1,400	99.00	138,600.00	88.00	123,200.00
12	390130	HOT MIX ASPHALT	Like 3	TON	2,700	74.00	199,800.00	81.00	219,700.00
13	260203	CLASS 2 AGGREGATE BASE	Like 4	CY	2,300	40.00	92,000.00	46.00	105,800.00
14	394073	PLACE HOT MIX ASPHALT DIKE (TYPE A)		LF	2,150	2.80	6,020.00	6.40	13,760.00
15	394074	PLACE HOT MIX ASPHALT DIKE (TYPE C)		LF	130	2.80	364.00	8.20	1,066.00
16	840656	PAINT TRAFFIC STRIPE (2-COAT)	Like 5	LF	8,000	0.17	1,360.00	0.40	3,200.00
17	850111	PAVEMENT MARKER (RETROREFLECTIVE)	Like 6	EA	220	2.70	594.00	3.90	858.00
18	152386	RELOCATE ROADSIDE SIGN-ONE POST	Like 7	EA	9	120.00	1,080.00	165.00	1,485.00
19	566011	ROADSIDE SIGN - ONE POST		EA	30	210.00	6,300.00	275.00	8,250.00
20	832005	MIDWEST GUARDRAIL SYSTEM	Like 8	LF	2,596	23.00	59,708.00	29.00	75,284.00
21	820107	DELINEATOR (CLASS 1)		EA	130	15.00	1,950.00	35.00	4,550.00
22	839585	ALTERNATIVE FLARED TERMINAL SYSTEM	Like 9	EA	7	2,900.00	20,300.00	2,650.00	18,550.00
23	150809	REMOVE CULVERT		LF	45	10.00	450.00	91.00	4,095.00
24	650034	48" REINFORCED CONCRETE PIPE		LF	71	385.00	27,335.00	275.00	19,525.00
25	510502	MINOR CONCRETE (MINOR STRUCTURE) [HEADWALLS AND WINGWALLS] (INCLUDING ENERGY DISSIPATOR)		CY	65	805.00	52,325.00	1,175.00	76,375.00
26	520101	BAR REINFORCING STEEL [HEADWALL AND WINGWALLS] (INCLUDING ENERGY DISSIPATOR)		LB	7,530	3.00	22,590.00	2.70	20,331.00
27	510526	MINOR CONCRETE (BACKFILL)		CY	25	110.00	2,750.00	160.00	4,000.00
28	151512	RECONSTRUCT INLET (CALTRANS STD D74B TYPE GDO)		EA	2	4,900.00	9,800.00	7,000.00	14,000.00
29	721026	ROCK SLOPE PROTECTION (BACKING NO. 1, METHOD B)		CY	200	119.00	23,800.00	101.00	20,200.00
30	729011	ROCK SLOPE PROTECTION FABRIC (CLASS 8)		SQYD	300	4.00	1,200.00	4.25	1,275.00
31	066201	EROSION CONTROL (HYDROSEED)		ACRE	4	16,000.00	64,000.00	13,300.00	53,200.00
32	394090	PLACE HOT MIX ASPHALT (MISCELLANEOUS AREA) [OVERSIDE DRAIN]		SQYD	20	75.00	1,500.00	240.00	4,800.00
33	010601	OBTAIN ENCROACHMENT PERMIT		LS	1	492.00	492.00	5,000.00	5,000.00
34	731507	MINOR CONCRETE (GUTTER DEPRESSION) (CALTRANS STD D78C)		CY	5	2,250.00	11,250.00	960.00	4,800.00
35	000003	INSTALL PIPE SWING GATE (RCFC&WD M820)		EA	2	3,200.00	6,400.00	4,250.00	8,500.00

**Riverside County Transportation Department  
Summary of Bids**

Project BOS Approval: April 26, 2016 (Agenda Item No. 3-36)  
 Start Advertisement: June 25, 2016  
 Addenda: 1 (6/21/2016), 2 (7/14/2016), 3 (7/26/2016), 4 (7/28/2016), 5 (8/4/2016), 6 (8/9/16)  
 Bids Open: 2 pm Date: Wednesday, August 10, 2016

**PROJECT: Gilman Springs Road  
 Improve Horizontal and Vertical Alignments and Other Roadway Safety Features  
 0.5 Mile Segment Approximately 1,000-feet Westerly of Soboba Road; and  
 Traffic Signal at the Intersection of Soboba Road  
 Project No. C4-0079, C5-0065, Federal Aid No. HSIPL-5956(237)**

BASE BID SCHEDULE 1: GILMAN SPRINGS ROAD CURVE REALIGNMENT PROJECT						6 Griffith Company Santa Fe Springs, CA 90670		7 Beador Construction Co., Inc. Corona, CA 92883	
ITEM NO.	ITEM CODE	CONTRACT ITEM	Like Bid Item	UNITS	QUANTITY	BID UNIT PRICE	BID ESTIMATE	BID UNIT PRICE	BID ESTIMATE
36	141000	TEMPORARY FENCE (TYPE ESA)		LF	3,000	1.95	5,850.00	3.40	10,200.00
37	120165	CHANNELIZER (SURFACE MOUNTED)		EA	8	22.00	176.00	40.00	320.00
37.A	000003	ADJUST TO GRADE EXISTING FIRE HYDRANT (PER EMWD STD B-365), ONE LOCATION, STA 10+30		EA	1	5,150.00	5,150.00	8,000.00	8,000.00
37.B	000003	INSTALL GUARDS AND MARKER POSTS (PER EMWD STD B-665), TWO LOCATIONS, STA 17+20 AND STA 33+90		EA	2	3,000.00	6,000.00	2,950.00	5,900.00
37.C	800360	CHAIN LINK FENCE		LF	50	100.00	5,000.00	47.00	2,350.00
<b>BASE BID SCHEDULE 1 TOTAL ITEMS 1 - 37.C</b>							<b>1,330,044.00</b>		<b>1,352,850.00</b>

BASE BID SCHEDULE 2: GILMAN SPRINGS ROAD AND SOBOBA ROAD TRAFFIC SIGNAL; AND PAVEMENT REHABILITATION						6 Griffith Company Santa Fe Springs, CA 90670		7 Beador Construction Co., Inc. Corona, CA 92883	
ITEM NO.	ITEM CODE	CONTRACT ITEM	Like Bid Item	UNITS	QUANTITY	BID UNIT PRICE	BID ESTIMATE	BID UNIT PRICE	BID ESTIMATE
38	190101 (F)	ROADWAY EXCAVATION	Like 1	CY	175	18.00	3,150.00	23.00	4,025.00
39	390137	RUBBERIZED HOT MIX ASPHALT (GAP GRADED)	Like 2	TON	40	99.00	3,960.00	88.00	3,520.00
40	039013	HOT MIX ASPHALT	Like 3	TON	780	74.00	57,720.00	81.00	63,180.00
41	260201	CLASS 2 AGGREGATE BASE	Like 4	CY	40	40.00	1,600.00	46.00	1,840.00
42	840656	PAINT TRAFFIC STRIPE (2-COAT)	Like 5	LF	32,100	0.17	5,457.00	0.40	12,840.00
43	850111	PAVEMENT MARKER (RETROREFLECTIVE)	Like 6	EA	1,020	2.70	2,754.00	3.90	3,978.00
44	152386	RELOCATE ROADSIDE SIGN-ONE POST	Like 7	EA	2	120.00	240.00	165.00	330.00
45	832005	MIDWEST GUARDRAIL SYSTEM	Like 8	LF	268	23.00	6,164.00	29.00	7,772.00
46	839585	ALTERNATIVE FLARED TERMINAL SYSTEM	Like 9	EA	3	2,900.00	8,700.00	2,650.00	7,950.00
47	066102	DUST ABATEMENT		LS	1	4,300.00	4,300.00	5,325.00	5,325.00
48	120100	TRAFFIC CONTROL SYSTEM		LS	1	23,000.00	23,000.00	97,596.50	97,596.50
49	074020	WATER POLLUTION CONTROL		LS	1	12,000.00	12,000.00	33,000.00	33,000.00
50	170101	DEVELOP WATER SUPPLY		LS	1	2,000.00	2,000.00	2,000.00	2,000.00
51	160101	CLEARING AND GRUBBING		LS	1	12,000.00	12,000.00	12,000.00	12,000.00
52	150662	REMOVE METAL BEAM GUARD RAILING		LF	450	18.00	8,100.00	18.00	8,100.00
53	197010 (F)	PLACE AND COMPACT EMBANKMENT		CY	1,100	49.00	53,900.00	23.00	25,300.00
54	394090	PLACE ASPHALT CONCRETE (MISCELLANEOUS AREA) [AC RAMP TRANSITIONS, 3" HMA PAVED AREA]		SQYD	200	46.00	9,200.00	35.00	7,000.00
55	017306	MINOR CONCRETE (CURB RAMP) (CRS 403)		EA	3	2,400.00	7,200.00	6,925.00	20,775.00
56	731623	MINOR CONCRETE (CURB RAMP) [CASE CM PER CALTRANS RSP A88B]		EA	2	2,400.00	4,800.00	1,875.00	3,750.00
57	731521	MINOR CONCRETE (SIDEWALK)		SQFT	350	8.00	2,800.00	19.00	6,650.00
58	017309	MINOR CONCRETE (TYPE "D" CURB) (CRS 204)		LF	50	79.00	3,950.00	71.00	3,550.00

**Riverside County Transportation Department  
Summary of Bids**

Project BOS Approval: April 26, 2016 (Agenda Item No. 3-36)

Start Advertisement: June 25, 2016

Addenda: 1 (6/21/2016), 2 (7/14/2016), 3 (7/26/2016), 4 (7/28/2016), 5 (8/4/2016), 6 (8/9/16)

Bids Open: 2 pm Date: Wednesday, August 10, 2016

PROJECT: Gilman Springs Road

Improve Horizontal and Vertical Alignments and Other Roadway Safety Features

0.5 Mile Segment Approximately 1,000-feet Westerly of Soboba Road; and

Traffic Signal at the Intersection of Soboba Road

Project No. C4-0079, C5-0065, Federal Aid No. HSIPL-5956(237)

BASE BID SCHEDULE 2: GILMAN SPRINGS ROAD AND SOBOBA ROAD TRAFFIC SIGNAL; AND PAVEMENT REHABILITATION						6 Griffith Company Santa Fe Springs, CA 90670		7 Beador Construction Co., Inc. Corona, CA 92883	
ITEM NO.	ITEM CODE	CONTRACT ITEM	Like Bid Item	UNITS	QUANTITY	BID UNIT PRICE	BID ESTIMATE	BID UNIT PRICE	BID ESTIMATE
59	017304	MINOR CONCRETE (CURB AND GUTTER) (CRS 200)		LF	15	145.00	2,175.00	53.00	795.00
60	731516	MINOR CONCRETE (DRIVEWAY)		SQFT	825	11.00	9,075.00	8.00	6,600.00
61	839514	HANDRAILING (APWA STD 606-3, TYPE B)		LF	40	175.00	7,000.00	138.00	5,520.00
62	833077	PEDESTRIAN BARRICADE		EA	1	800.00	800.00	1,810.00	1,810.00
63	013902	ASPHALT CONCRETE OVERSIDE DRAIN (CRS 306)		EA	1	1,500.00	1,500.00	4,475.00	4,475.00
64	720000	ROCK SLOPE PROTECTION		CY	15	230.00	3,450.00	101.00	1,515.00
65	665024	24" CORRUGATED STEEL PIPE (.109" THICK)		LF	8	325.00	2,600.00	465.00	3,720.00
66	839584	ALTERNATIVE IN-LINE TERMINAL SYSTEM		EA	1	3,400.00	3,400.00	3,725.00	3,725.00
67	000003	CONSTRUCT MGS CONNECTION TO BRIDGE RAILING [NOTE 37]		EA	2	4,000.00	8,000.00	3,725.00	7,450.00
68	860201	SIGNAL AND LIGHTING		LS	1	194,000.00	194,000.00	200,000.00	200,000.00
69	840515	THERMOPLASTIC PAVEMENT MARKING		SQFT	865	1.50	1,297.50	4.00	3,460.00
70	150710	REMOVE TRAFFIC STRIPE		LF	23,600	0.10	2,360.00	0.30	7,080.00
71	150715	REMOVE THERMOPLASTIC PAVEMENT MARKING		SQFT	1,065	0.65	692.25	3.00	3,195.00
72	150742	REMOVE (AND SALVAGE) ROADSIDE SIGN (AND POST)		EA	11	53.00	583.00	48.00	528.00
73	566012	ROADSIDE SIGN - TWO POST		EA	2	215.00	430.00	800.00	1,600.00
74	562004	METAL (RAIL MOUNTED SIGN)		EA	2	520.00	1,040.00	320.00	640.00
75	568001	INSTALL SIGN (STRAP AND SADDLE BRACKET METHOD)		EA	1	105.00	105.00	800.00	800.00
76	015602	FUNDING AWARENESS SIGN		EA	2	3,100.00	6,200.00	800.00	1,600.00
77	760090	MOBILIZATION, DEMOBILIZATION AND FINAL CLEANUP		LS	1	10,000.00	10,000.00	10,000.00	10,000.00
78	010602	MISCELLANEOUS WORK (AS DIRECTED)		FA	1	50,000.00	50,000.00	50,000.00	50,000.00
79	153103	COLD PLANE ASPHALT CONCRETE PAVEMENT		SQYD	4,450	3.50	15,575.00	3.00	13,350.00
80	377501	SLURRY SEAL [ TYPE III ]		TON	355	315.00	111,825.00	270.00	95,850.00
81	374002	ASPHALTIC EMULSION (FOG SEAL COAT)		SQYD	7,750	1.10	8,525.00	0.60	4,650.00
82	150714	REMOVE THERMOPLASTIC TRAFFIC STRIPE		LF	1,110	0.10	111.00	0.85	943.50
83	840501	THERMOPLASTIC TRAFFIC STRIPE		LF	1,110	0.50	555.00	2.20	2,442.00
		<b>BASE BID SCHEDULE 2 TOTAL ITEMS 38 - 83</b>					<b>674,293.75</b>		<b>762,230.00</b>

		6 Griffith Company Santa Fe Springs, CA 90670		7 Beador Construction Co., Inc. Corona, CA 92883	
<b>BASE BID SCHEDULES 1 AND 2 TOTAL ITEMS 1 - 83</b>				<b>2,004,337.75</b>	
				<b>2,115,080.00</b>	

**Riverside County Transportation Department  
Summary of Bids**

Project BOS Approval: April 26, 2016 (Agenda Item No. 3-36)

Start Advertisement: June 25, 2016

Addenda: 1 (6/21/2016), 2 (7/14/2016), 3 (7/26/2016), 4 (7/28/2016), 5 (8/4/2016), 6 (8/9/16)

Bids Open: 2 pm Date: Wednesday, August 10, 2016

PROJECT: Gilman Springs Road

Improve Horizontal and Vertical Alignments and Other Roadway Safety Features  
0.5 Mile Segment Approximately 1,000-feet Westerly of Soboba Road; and  
Traffic Signal at the Intersection of Soboba Road

Project No. C4-0079, C5-0065, Federal Aid No. HSIPL-5956(237)

BASE BID SCHEDULE 1: GILMAN SPRINGS ROAD CURVE REALIGNMENT PROJECT						8 Hillcrest Contracting Corona, CA 92878		9 Roadway Engineering Mira Loma, CA 91752	
ITEM NO.	ITEM CODE	CONTRACT ITEM	Like Bid Item	UNITS	QUANTITY	BID UNIT PRICE	BID ESTIMATE	BID UNIT PRICE	BID ESTIMATE
1	760090	MOBILIZATION, DEMOBILIZATION AND FINAL CLEANUP		LS	1	150,000.00	150,000.00	85,000.00	85,000.00
2	170101	DEVELOP WATER SUPPLY		LS	1	5,000.00	5,000.00	10,000.00	10,000.00
3	066102	DUST ABATEMENT		LS	1	9,000.00	9,000.00	4,000.00	4,000.00
4	074020	WATER POLLUTION CONTROL		LS	1	40,000.00	40,000.00	45,000.00	45,000.00
5	120100	TRAFFIC CONTROL SYSTEM		LS	1	150,000.00	150,000.00	110,000.00	110,000.00
6	128651	PORTABLE CHANGEABLE MESSAGE SIGN		EA	6	3,500.00	21,000.00	2,000.00	12,000.00
7	150605	REMOVE FENCE		LF	175	16.00	2,800.00	8.00	1,400.00
8	160102	CLEARING AND GRUBBING		LS	1	115,000.00	115,000.00	125,000.00	125,000.00
9	190101(F)	ROADWAY EXCAVATION	Like 1	CY	7,000	25.00	175,000.00	60.00	420,000.00
10	198010(F)	IMPORTED BORROW		CY	2,100	25.00	52,500.00	40.00	84,000.00
11	390137	RUBBERIZED HOT MIX ASPHALT (GAP GRADED)	Like 2	TON	1,400	105.00	147,000.00	102.00	142,800.00
12	390130	HOT MIX ASPHALT	Like 3	TON	2,700	75.00	202,500.00	85.00	229,500.00
13	260203	CLASS 2 AGGREGATE BASE	Like 4	CY	2,300	40.00	92,000.00	32.00	73,600.00
14	394073	PLACE HOT MIX ASPHALT DIKE (TYPE A)		LF	2,150	3.00	6,450.00	3.50	7,525.00
15	394074	PLACE HOT MIX ASPHALT DIKE (TYPE C)		LF	130	3.00	390.00	3.50	455.00
16	840656	PAINT TRAFFIC STRIPE (2-COAT)	Like 5	LF	8,000	0.19	1,520.00	0.43	3,440.00
17	850111	PAVEMENT MARKER (RETROREFLECTIVE)	Like 6	EA	220	3.00	660.00	3.75	825.00
18	152386	RELOCATE ROADSIDE SIGN-ONE POST	Like 7	EA	9	130.00	1,170.00	175.00	1,575.00
19	566011	ROADSIDE SIGN - ONE POST		EA	30	220.00	6,600.00	290.00	8,700.00
20	832005	MIDWEST GUARDRAIL SYSTEM	Like 8	LF	2,596	25.00	64,900.00	27.00	70,092.00
21	820107	DELINEATOR (CLASS 1)		EA	130	95.00	12,350.00	56.00	7,280.00
22	839585	ALTERNATIVE FLARED TERMINAL SYSTEM	Like 9	EA	7	3,000.00	21,000.00	3,200.00	22,400.00
23	150809	REMOVE CULVERT		LF	45	175.00	7,875.00	192.00	8,640.00
24	650034	48" REINFORCED CONCRETE PIPE		LF	71	490.00	34,790.00	680.00	48,280.00
25	510502	MINOR CONCRETE (MINOR STRUCTURE) [HEADWALLS AND WINGWALLS] (INCLUDING ENERGY DISSIPATOR)		CY	65	960.00	62,400.00	1,170.00	76,050.00
26	520101	BAR REINFORCING STEEL [HEADWALL AND WINGWALLS] (INCLUDING ENERGY DISSIPATOR)		LB	7,530	0.70	5,271.00	1.50	11,295.00
27	510526	MINOR CONCRETE (BACKFILL)		CY	25	176.00	4,400.00	167.00	4,175.00
28	151512	RECONSTRUCT INLET (CALTRANS STD D74B TYPE GDO)		EA	2	4,500.00	9,000.00	5,750.00	11,500.00
29	721026	ROCK SLOPE PROTECTION (BACKING NO. 1, METHOD B)		CY	200	193.00	38,600.00	105.00	21,000.00
30	729011	ROCK SLOPE PROTECTION FABRIC (CLASS 8)		SQYD	300	12.80	3,840.00	4.50	1,350.00
31	066201	EROSION CONTROL (HYDROSEED)		ACRE	4	13,000.00	52,000.00	13,800.00	55,200.00
32	394090	PLACE HOT MIX ASPHALT (MISCELLANEOUS AREA) [OVERSIDE DRAIN]		SQYD	20	83.00	1,660.00	92.00	1,840.00
33	010601	OBTAIN ENCROACHMENT PERMIT		LS	1	5,000.00	5,000.00	7,500.00	7,500.00
34	731507	MINOR CONCRETE (GUTTER DEPRESSION) (CALTRANS STD D78C)		CY	5	1,100.00	5,500.00	600.00	3,000.00
35	000003	INSTALL PIPE SWING GATE (RCFC&WD M820)		EA	2	3,500.00	7,000.00	3,625.00	7,250.00

**Riverside County Transportation Department  
Summary of Bids**

Project BOS Approval: April 26, 2016 (Agenda Item No. 3-36)  
 Start Advertisement: June 25, 2016  
 Addenda: 1 (6/21/2016), 2 (7/14/2016), 3 (7/26/2016), 4 (7/28/2016), 5 (8/4/2016), 6 (8/9/16)  
 Bids Open: 2 pm Date: Wednesday, August 10, 2016

PROJECT: Gilman Springs Road  
 Improve Horizontal and Vertical Alignments and Other Roadway Safety Features  
 0.5 Mile Segment Approximately 1,000-feet Westerly of Soboba Road; and  
 Traffic Signal at the Intersection of Soboba Road  
 Project No. C4-0079, C5-0065, Federal Aid No. HSIPL-5956(237)

BASE BID SCHEDULE 1: GILMAN SPRINGS ROAD CURVE REALIGNMENT PROJECT						8 Hillcrest Contracting Corona, CA 92878		9 Roadway Engineering Mira Loma, CA 91752	
ITEM NO.	ITEM CODE	CONTRACT ITEM	Like Bid Item	UNITS	QUANTITY	BID UNIT PRICE	BID ESTIMATE	BID UNIT PRICE	BID ESTIMATE
36	141000	TEMPORARY FENCE (TYPE ESA)		LF	3,000	3.00	9,000.00	6.00	18,000.00
37	120165	CHANNELIZER (SURFACE MOUNTED)		EA	8	22.00	176.00	50.00	400.00
37.A	000003	ADJUST TO GRADE EXISTING FIRE HYDRANT (PER EMWD STD B-365), ONE LOCATION, STA 10+30		EA	1	5,000.00	5,000.00	2,000.00	2,000.00
37.B	000003	INSTALL GUARDS AND MARKER POSTS (PER EMWD STD B-665), TWO LOCATIONS, STA 17+20 AND STA 33+90		EA	2	1,600.00	3,200.00	8,700.00	17,400.00
37.C	800360	CHAIN LINK FENCE		LF	50	106.00	5,300.00	125.00	6,250.00
<b>BASE BID SCHEDULE 1 TOTAL ITEMS 1 - 37.C</b>							<b>1,536,852.00</b>		<b>1,765,722.00</b>

BASE BID SCHEDULE 2: GILMAN SPRINGS ROAD AND SOBOBA ROAD TRAFFIC SIGNAL; AND PAVEMENT REHABILITATION						8 Hillcrest Contracting Corona, CA 92878		9 Roadway Engineering Mira Loma, CA 91752	
ITEM NO.	ITEM CODE	CONTRACT ITEM	Like Bid Item	UNITS	QUANTITY	BID UNIT PRICE	BID ESTIMATE	BID UNIT PRICE	BID ESTIMATE
38	190101 (F)	ROADWAY EXCAVATION	Like 1	CY	175	25.00	4,375.00	60.00	10,500.00
39	390137	RUBBERIZED HOT MIX ASPHALT (GAP GRADED)	Like 2	TON	40	105.00	4,200.00	102.00	4,080.00
40	039013	HOT MIX ASPHALT	Like 3	TON	780	75.00	58,500.00	85.00	66,300.00
41	260201	CLASS 2 AGGREGATE BASE	Like 4	CY	40	40.00	1,600.00	32.00	1,280.00
42	840656	PAINT TRAFFIC STRIPE (2-COAT)	Like 5	LF	32,100	0.19	6,099.00	0.43	13,803.00
43	850111	PAVEMENT MARKER (RETROREFLECTIVE)	Like 6	EA	1,020	3.00	3,060.00	3.75	3,825.00
44	152386	RELOCATE ROADSIDE SIGN-ONE POST	Like 7	EA	2	130.00	260.00	175.00	350.00
45	832005	MIDWEST GUARDRAIL SYSTEM	Like 8	LF	268	25.00	6,700.00	40.00	10,720.00
46	839585	ALTERNATIVE FLARED TERMINAL SYSTEM	Like 9	EA	3	3,000.00	9,000.00	3,200.00	9,600.00
47	066102	DUST ABATEMENT		LS	1	5,000.00	5,000.00	2,500.00	2,500.00
48	120100	TRAFFIC CONTROL SYSTEM		LS	1	12,000.00	12,000.00	10,000.00	10,000.00
49	074020	WATER POLLUTION CONTROL		LS	1	7,500.00	7,500.00	3,500.00	3,500.00
50	170101	DEVELOP WATER SUPPLY		LS	1	2,000.00	2,000.00	3,000.00	3,000.00
51	160101	CLEARING AND GRUBBING		LS	1	10,000.00	10,000.00	25,000.00	25,000.00
52	150662	REMOVE METAL BEAM GUARD RAILING		LF	450	17.00	7,650.00	18.00	8,100.00
53	197010 (F)	PLACE AND COMPACT EMBANKMENT		CY	1,100	35.00	38,500.00	75.00	82,500.00
54	394090	PLACE ASPHALT CONCRETE (MISCELLANEOUS AREA) [AC RAMP TRANSITIONS, 3" HMA PAVED AREA]		SQYD	200	45.00	9,000.00	21.00	4,200.00
55	017306	MINOR CONCRETE (CURB RAMP) (CRS 403)		EA	3	6,300.00	18,900.00	2,800.00	8,400.00
56	731623	MINOR CONCRETE (CURB RAMP) [CASE CM PER CALTRANS RSP A88B]		EA	2	1,400.00	2,800.00	2,800.00	5,600.00
57	731521	MINOR CONCRETE (SIDEWALK)		SQFT	350	10.00	3,500.00	5.00	1,750.00
58	017309	MINOR CONCRETE (TYPE "D" CURB) (CRS 204)		LF	50	28.00	1,400.00	30.00	1,500.00

**Riverside County Transportation Department  
Summary of Bids**

Project BOS Approval: April 26, 2016 (Agenda Item No. 3-36)

Start Advertisement: June 25, 2016

Addenda: 1 (6/21/2016), 2 (7/14/2016), 3 (7/26/2016), 4 (7/28/2016), 5 (8/4/2016), 6 (8/9/16)

Bids Open: 2 pm Date: Wednesday, August 10, 2016

PROJECT: Gilman Springs Road

Improve Horizontal and Vertical Alignments and Other Roadway Safety Features

0.5 Mile Segment Approximately 1,000-feet Westerly of Soboba Road; and

Traffic Signal at the Intersection of Soboba Road

Project No. C4-0079, C5-0065, Federal Aid No. HSIPL-5956(237)

BASE BID SCHEDULE 2: GILMAN SPRINGS ROAD AND SOBOBA ROAD TRAFFIC SIGNAL; AND PAVEMENT REHABILITATION						8 Hillcrest Contracting Corona, CA 92878		9 Roadway Engineering Mira Loma, CA 91752	
ITEM NO.	ITEM CODE	CONTRACT ITEM	Like Bid Item	UNITS	QUANTITY	BID UNIT PRICE	BID ESTIMATE	BID UNIT PRICE	BID ESTIMATE
59	017304	MINOR CONCRETE (CURB AND GUTTER) (CRS 200)		LF	15	47.00	705.00	35.00	525.00
60	731516	MINOR CONCRETE (DRIVEWAY)		SQFT	825	14.00	11,550.00	9.00	7,425.00
61	839514	HANDRAILING [APWA STD 606-3, TYPE B]		LF	40	180.00	7,200.00	125.00	5,000.00
62	833077	PEDESTRIAN BARRICADE		EA	1	1,500.00	1,500.00	1,600.00	1,600.00
63	013902	ASPHALT CONCRETE OVERSIDE DRAIN (CRS 306)		EA	1	2,400.00	2,400.00	2,875.00	2,875.00
64	720000	ROCK SLOPE PROTECTION		CY	15	330.00	4,950.00	105.00	1,575.00
65	665024	24" CORRUGATED STEEL PIPE (.109" THICK)		LF	8	440.00	3,520.00	345.00	2,760.00
66	839584	ALTERNATIVE IN-LINE TERMINAL SYSTEM		EA	1	3,600.00	3,600.00	3,800.00	3,800.00
67	000003	CONSTRUCT MGS CONNECTION TO BRIDGE RAILING [NOTE 37]		EA	2	4,100.00	8,200.00	4,500.00	9,000.00
68	860201	SIGNAL AND LIGHTING		LS	1	210,000.00	210,000.00	214,000.00	214,000.00
69	840515	THERMOPLASTIC PAVEMENT MARKING		SQFT	865	1.50	1,297.50	4.40	3,806.00
70	150710	REMOVE TRAFFIC STRIPE		LF	23,600	0.10	2,360.00	0.34	8,024.00
71	150715	REMOVE THERMOPLASTIC PAVEMENT MARKING		SQFT	1,065	0.70	745.50	3.22	3,429.30
72	150742	REMOVE (AND SALVAGE) ROADSIDE SIGN (AND POST)		EA	11	55.00	605.00	46.00	506.00
73	566012	ROADSIDE SIGN - TWO POST		EA	2	220.00	440.00	865.00	1,730.00
74	562004	METAL (RAIL MOUNTED SIGN)		EA	2	300.00	600.00	345.00	690.00
75	568001	INSTALL SIGN (STRAP AND SADDLE BRACKET METHOD)		EA	1	110.00	110.00	150.00	150.00
76	015602	FUNDING AWARENESS SIGN		EA	2	1,200.00	2,400.00	900.00	1,800.00
77	760090	MOBILIZATION, DEMOBILIZATION AND FINAL CLEANUP		LS	1	69,000.00	69,000.00	6,500.00	6,500.00
78	010602	MISCELLANEOUS WORK (AS DIRECTED)		FA	1	50,000.00	50,000.00	50,000.00	50,000.00
79	153103	COLD PLANE ASPHALT CONCRETE PAVEMENT		SQYD	4,450	3.00	13,350.00	3.25	14,462.50
80	377501	SLURRY SEAL [ TYPE III ]		TON	355	312.00	110,760.00	320.00	113,600.00
81	374002	ASPHALTIC EMULSION (FOG SEAL COAT)		SQYD	7,750	1.00	7,750.00	1.00	7,750.00
82	150714	REMOVE THERMOPLASTIC TRAFFIC STRIPE		LF	1,110	0.11	122.10	1.00	1,110.00
83	840501	THERMOPLASTIC TRAFFIC STRIPE		LF	1,110	0.55	610.50	2.30	2,553.00
<b>BASE BID SCHEDULE 2 TOTAL ITEMS 38 - 83</b>							<b>725,819.60</b>		<b>741,178.80</b>

BASE BID SCHEDULES 1 AND 2 TOTAL ITEMS 1 - 83		8 Hillcrest Contracting Corona, CA 92878	9 Roadway Engineering Mira Loma, CA 91752
		<b>2,262,671.60</b>	<b>2,506,900.80</b>



Juan C. Perez, P.E., T.E.  
 Transportation and Land Management  
 Agency Director

# COUNTY OF RIVERSIDE

## TRANSPORTATION AND LAND MANAGEMENT AGENCY



Patricia Romo, P.E.  
 Director of Transportation

### Transportation Department

#### ADDENDUM NUMBER 1

Dated June 21, 2016

to the  
**Specifications and Contract Documents  
 for the construction of**

**Gilman Springs Road  
 Improve Horizontal and Vertical Alignments  
 And Other Roadway Safety Features  
 0.5 Mile Segment Approximately 1,000-feet West of Soboba Road; and  
 Traffic Signal at the Intersection of Soboba Road  
 Project No. C4-0079, C5-0065  
 Federal Aid No. HSIPL-5956(237)**

**Bids Due: (Revised) Wednesday, July 20, 2016; 2:00 p.m.**  
 14<sup>th</sup> Street Transportation Annex  
 3525 14<sup>th</sup> Street; Riverside, CA 92501  
 (951) 955-6780

This Addendum is issued pursuant to the Instructions to Bidders, Item No. 8, of the Contract Documents for the reference project. This Addendum is issued as a supplement to the specification and special provisions for the referenced project. The revisions to the specifications shall become a part of the Contract Documents, and each bidder shall acknowledge receipt thereof on the Bid (Proposal). Bidders are directed to sign this addendum as acknowledged, and attach the signed addendum to the contractor's submitted proposal.

Note: During the advertisement period of this project, this document and attachments (if any) are available upon request at the office of the Transportation Department, and are available as a free download at the Transportation Department's website:

<http://rctlma.org/trans/Contractors-Corner/Notices-Inviting-Bids>

#### MODIFICATIONS / CLARIFICATIONS TO SPECIAL PROVISIONS:

**Item 1: DBE Contract Goal**  
 Refer to 'Notice to Bidders' on page v, refer to DBE Commitment Form (Exhibit 15-G) on page B18, refer to DBE Information-Good Faith Efforts Form (Exhibit 15-H) on page B20, refer to DBE Information Attachment Form on page B23, and refer to Section 17 of the Instructions to Bidders, 'Disadvantaged Business Enterprise (DBE),' in the Special Provisions.

The DBE Contract Goal is **10.0%**

The Contractor hereby shall be aware and understand that the 10 % DBE Goal is only applicable to Base Bid Schedule 1, Gilman Springs Road Curve Realignment Project, only (items of work 1 through 37); nonetheless, Contractor is encouraged to use DBE firms on other schedules of the work.



DBE firms participating on Base Bid Schedule No. 2, Gilman Springs Road and Soboba Road Traffic Signal Project; shall not be considered toward the calculation of the 10% DBE goal.

**Item 2: Notice to Bidders**

Refer to "Notice to Bidders" on page v of the Special Provisions.

The new designated date and time for the receipt and opening of bids is revised as follows:

**Wednesday, July 20, 2016; 2:00 p.m.**  
**14<sup>th</sup> Street Transportation Annex**  
**3525 14<sup>th</sup> Street; Riverside, CA 92501**  
**(951) 955-6780**

The new designated date and time for the pre-bid meeting is revised as follows:

**Wednesday, July 6, 2016; 3:00 p.m.**  
**14<sup>th</sup> Street Transportation Annex**  
**3525 14<sup>th</sup> Street; Riverside, CA 92501**

**Item 3: Federal Minimum Wages Update**

Refer to Appendix D in the Special Provisions, "Federal Prevailing Wage Decision", pages 1 through 21. Delete and replace these pages with the following:

Federal wage determination, General Decision No. CA160036 – CA36, Modification No. 5 dated **5/20/2016**, shall apply to this project. This document is available upon request from the Transportation Department: (951) 955-6780, and also posted on following County website:

<http://rctlma.org/trans/Contractors-Corner/Notices-Inviting-Bids>

**Item 4: Encroachment Permit Payment.** Refer to section 00-1.09 "Encroachment Permit" on page 4 of the Special Provisions. Delete and replace the payment paragraph with the following:

Payment

If the Contractor pays any fees to Caltrans and/or City of San Jacinto to obtain Encroachment Permits, then full compensation for the actual cost of the Encroachment Permit fees, as paid by the Contractor to Caltrans and/or City of San Jacinto, shall be considered as included in the contract price paid per lump sum for Obtain Encroachment Permit and no additional compensation will be allowed therefor. No markups will be allowed. All incidental costs incurred by the Contractor shall be considered as included in the various items of work and no compensation will be allowed therefor.

Addendum No. 1

Gilman Springs Road, Improve Horizontal and Vertical Alignments And Other Roadway Safety Features  
0.5 Mile Segment Approximately 1,000-feet West of Soboba Road; and  
Traffic Signal at the Intersection of Soboba Road

Project No. C4-0079, C5-0065, Federal Aid No. HSIPL-5956(237)

June 21, 2016

Page 3 of 4

---

**Item 5: Unit and Price Correction for Bid Item 33, OBTAIN ENCROACHMENT PERMIT.**

Refer to "Proposal" on pages B2 through B5 of the bidding documents.

- Bidders are instructed to strikethrough the written unit of FA (Force Account) and item price of \$5,000.00 for Bid Item 33, OBTAIN ENCROACHMENT PERMIT and replace with a LS (Lump Sum) unit. Contractors shall provide their own lump sum cost for bid item 33.

In the event that a bidding contractor fails to correct the proposal as directed by this addendum, the FA unit for this item will be deleted and replaced with a LS unit.

**Item 6: Partial Payments.** Refer to section 00-1.10 "Progress Payments Restrictions" on page 4 and 5 of the Special Provisions. Add the following Lump Sum item of work to the list on page 4:

D. Obtain Encroachment Permit      \$5,000

**Item 7: Caltrans Encroachment Permit.**

Caltrans Encroachment Permit dated May 2, 2016 is added as **Attachment "1"** and made part of herby.

Full compensation for complying with the requirements of the Caltrans Encroachment Permit shall be considered as included in the various items of work, and no additional compensation will be allowed therefore.

Addendum No. 1  
Gilman Springs Road, Improve Horizontal and Vertical Alignments And Other Roadway Safety Features  
0.5 Mile Segment Approximately 1,000-feet West of Soboba Road; and  
Traffic Signal at the Intersection of Soboba Road  
Project No. C4-0079, C5-0065, Federal Aid No. HS1PL-5956(237)  
June 21, 2016  
Page 4 of 4

---

This addendum has been prepared under the direction of the following registered Civil Engineer(s):

**Recommended by:**



Scott Staley, PE  
County Project Manager



**Concurrence:**



Khalid Nasim, PE  
Engineering Division Manager

**Acknowledged:** \_\_\_\_\_ **Date:** \_\_\_\_\_  
(Contractor)

JRJ:rrj:rr

Note: Refer to Instruction to Bidders Item No. 8, "Addenda". Submission of all addendum pages and non-bidding document attachments of addendum are not necessary for Bid submittal. Submittal of this acknowledgement page is adequate for Bid reception. Bidders are reminded to list addendum number(s) received on the first page of the Bid form (Proposal).



Juan C. Perez, P.E., T.E.  
 Transportation and Land Management  
 Agency Director

**COUNTY OF RIVERSIDE**  
**TRANSPORTATION AND**  
**LAND MANAGEMENT AGENCY**



Patricia Romo, P.E.  
 Director of Transportation

**Transportation Department**

**ADDENDUM NUMBER 2**

**Dated July 14, 2016**

**to the  
 Specifications and Contract Documents  
 for the construction of**

**Gilman Springs Road  
 Improve Horizontal and Vertical Alignments  
 And Other Roadway Safety Features  
 0.5 Mile Segment Approximately 1,000-foot West of Soboba Road; and  
 Traffic Signal at the Intersection of Soboba Road  
 Project No. C4-0079, C5-0065  
 Federal Aid No. HSIPL-5956(237)**

**Bids Due: (Revised) Wednesday, July 27, 2016; 2:00 p.m.**  
 14<sup>th</sup> Street Transportation Annex  
 3525 14<sup>th</sup> Street; Riverside, CA 92501  
 (951) 955-6780

This Addendum is issued pursuant to the Instructions to Bidders, Item No. 8, of the Contract Documents for the reference project. This Addendum is issued as a supplement to the specification and special provisions for the referenced project. The revisions to the specifications shall become a part of the Contract Documents, and each bidder shall acknowledge receipt thereof on the Bid (Proposal). Bidders are directed to sign this addendum as acknowledged, and attach the signed addendum to the contractor's submitted proposal.

Note: During the advertisement period of this project, this document and attachments (if any) are available upon request at the office of the Transportation Department, and are available as a free download at the Transportation Department's website:

<http://rctlma.org/trans/Contractors-Corner/Notices-Inviting-Bids>

**MODIFICATIONS / CLARIFICATIONS TO SPECIAL PROVISIONS:**

**Item 1:** The new designated date and time for the receipt and opening of bids is revised as follows:

**Wednesday, July 27, 2016; 2:00 p.m.**  
 14<sup>th</sup> Street Transportation Annex  
 3525 14<sup>th</sup> Street; Riverside, CA 92501  
 (951) 955-6780

**Item 2: Revised Proposal.** Refer to "Proposal" pages B2-B5. Delete and replace "Proposal" (pages B2 through B5) with "Proposal (Revised)" attached herewith as **Attachment "A"**. The following changes have been made to the Proposal:

a. The following bid items have been added:

Item 37.A, "ADJUST TO GRADE EXISTING FIRE HYDRANT (PER EMWD STD B-365), ONE LOCATION, STA 10+30"

Item 37.B, "INSTALL GUARDS AND MARKER POSTS (PER EMWD STD B-665), TWO LOCATIONS, STA 17+20 AND STA 33+90"

b. Quantity has been revised for the following bid item:

Item 6, "PORTABLE CHANGEABLE MESSAGE SIGN"

c. The Force Account price has been revised for the following bid item:

Item 78, "MISCELLANEOUS WORK (AS DIRECTED)"

**Item 3: DBE Contract Goal**

Refer to Addendum No. 1 Item 1, 'Notice to Bidders' on page v, DBE Commitment Form (Exhibit 15-G) on page B18, the bid pre-bid meeting attendance roster, and the DBE Information-Good Faith Efforts Form (Exhibit 15-H) on page B20.

The DBE Contract Goal is 10%.

This is to clarify that the percentage goal is not written to include 1/10 of a percentage amount.

**Item 4: Eastern Municipal Water District (EMWD) Special Provisions.** The following EMWD Special Provisions are added and made a part of hereby:

EMWD Gilman Spring Road Water Facilities Adjustment  
Included in this addendum and designated as **Attachment "B"**.

The specifications shown on Attachment "B" shall be used for the EMWD items of work only, and shall govern for all EMWD work. The EMWD specifications on Attachment "B" do not apply to other work covered in the standard specifications and the special provisions.

**Payment:**

The contract price paid per each location for:

• Adjust to Grade Existing Fire Hydrant (Per EMWD Std B-365), One Location, Sta 10+30, shall include full compensation for furnishing all labor, materials, tools, equipment, and incidentals, and for doing all the work involved as specified in Attachment "B", per EMWD Std B-365, and as directed by the Engineer.

The contract price paid per each location for:

• Install Guards and Marker Posts (Per EMWD Std B-665), Two Locations, Sta 17+20 And Sta 33+90;  
shall include full compensation for furnishing all labor, materials (including two guard posts per each location and marker post and sign per each location), tools, equipment, and incidentals, and for doing all the work involved as specified in Attachment "B", per EMWD Std B-665, and as directed by the

**Item 5: Additional Insured.** Refer to Section 00-1.08 "Additional Insurance Requirements, Additional Insured List" on page 3 and 4 of the Special Provisions. The following is added to the list of additional insured entities:

Eastern Municipal Water District, its officers, directors, agents and employees.

**Item 6: Federal Minimum Wages Update**

Refer to Appendix D in the Special Provisions, "Federal Prevailing Wage Decision", pages 1 through 21, and Addendum No. 1, Item 3, Federal Minimum Wages Update. Delete and replace these pages with the following:

Federal wage determination, General Decision No. CA160036 – CA36, Modification No. 6 dates **7/08/2016**, shall apply to this project. This document is available upon request from the Transportation Department: (951) 955-6780, and also posted on the following County website:

<http://rctlma.org/trans/Contractors-Corner/Notices-Inviting-Bids>

**Item 7: Additional Federal Requirement – Cargo Preference Act**

Refer to Appendix E in the Special Provisions, "Additional Federal Requirements Exhibits", "Caltrans LAPM, Exhibit 12-E Attachment B, Form FHWA 1273, Required Contract Provisions, Federal Aid Construction Contracts". The following Federal Requirement is added to Form FHWA 1273:

## **XII. CARGO PREFERENCE ACT**

The Cargo Preference Act applies to federal funded highway construction projects awarded after February 15, 2016.

Use of United States –flag vessels:

The Contractor agrees:

1. To utilize privately owned United States-flag commercial vessels to ship at least 50 percent of the gross tonnage (computed separately for dry bulk carriers, dry cargo liners, and tankers) involved, whenever shipping any equipment, material, or commodities pursuant to this contract, to the extent such vessels are available at fair and reasonable rates for United States-flag commercial vessels.

2. To furnish within 20 days following the date of loading for shipments originating within the United States or within 30 working days following the date of loading for shipments originating outside the United States, a legible copy of a rated, 'on-board' commercial ocean bill-of-lading in English for each shipment of cargo described in paragraph (1) of this section to both the Contracting Officer (through the prime contractor in the case of subcontractor bills-of-lading) and to the Division of National Cargo, Office of Market Development, Maritime Administration, Washington, DC 20590.
3. To insert the substance of the provisions of this clause in all subcontracts issued pursuant to this contract.

**Item 8: Addition to Special Provisions – Supplemental Project Information.** The following Special Provisions are added and made part hereby:

**Add to section 2-1.06B, Supplemental Project Information, of the Standard Specifications:**

The following Supplemental Project Information is available for inspection and to download for your use on the County of Riverside Transportation Department website:

<http://rctlma.org/trans/Contractors-Corner/Notices-Inviting-Bids>

- **Cross Sections – Gilman Springs Road**

The Cross Sections (downloadable file) is provided for reference only. The County of Riverside Transportation Department does not guarantee the accuracy of this data.

Cross sections for Sublette Road and the existing stockpiled dirt on Sublette Road are not available and will not be provided. The Contractor shall conduct his own investigations for verification of the amounts of earthwork on Sublette Road.

**Item 9: Modification to Special Provisions – Borrow Material.** Refer to Section 19-7, Borrow Material, of the Special Provisions on page 47. The following sentence is deleted hereby from the Special Provisions:

- ~~Fill material needed for Safety Edge at Alessandro Boulevard.~~

**Item 10: Clarification, Sublette Road.** Refer to Section 19-20, Roadway Excavation, and Section 21, Erosion Control, of the Special Provisions:

Sublette Road will require grinding of existing asphalt pavement and dike, fully removal of asphalt concrete, grading and scarifying the subgrade, and application of erosion control (Hydroseed).

The existing asphalt thickness on Sublette Road varies from 0.20' to 0.25'

Grindings from Sublette Road can be used in fill areas providing the material meets the grading specified on Section 19-2 of the Special Provisions.

**Item 11: Clarification, Tree Removals and Trimmings.** Refer to Section 16, Clearing and Grubbing, of the Special Provisions, Note 3 on the Plans, "Contractor Shall Remove All Trees and Vegetation Within the Project Limits of Gilman Springs Road and Sublette Road", and Construction Note 2A on the Plans, "Remove by Contractor".

The contractor will be required to remove all trees and vegetation within the Right of Way on both Gilman Springs Road and Sublette Road.

Some trees on Sublette Road may need to be trimmed back in order to complete removal of asphalt pavement and dike.

Compensation for the trimming, removal and disposal of trees including stumps, shall be considered as included in the contract price paid per lump sum for Clearing and Grubbing.

**Item 12: Addition to Special Provisions – Roadway Excavation, Stockpiled Dirt on Sublette Road.** Refer to Section 19-2, Roadway Excavation of the Special Provisions. The following Special Provisions are added to Section 19-2 and made part hereby:

The stockpiled dirt on Sublette Road shall be considered excess material and shall be disposed of by the Contractor outside of the highway right of way in conformance with Section 00-1.16, Disposal of Excess Excavation or Materials, of the Special Provisions.

The County has not tested the stockpiled dirt on Sublette Road, it shall be the responsibility of the Contractor to comply with all the environmental permits and testing.

Compensation for disposal of stockpiled dirt on Sublette Road shall be considered as included in the contract price paid per cubic yard for Roadway Excavation.

**Item 13: Addition to Special Provisions – Relocation of Conflicting Utilities by Owners.** Refer to Section 5, Control of Work, of the Special Provisions; and Section 5-1.36D, Non-Highway Facilities. The following Special Provisions are added to Section 5-1.36D and made part hereby:

**Add to Section 5-1.36D:**

**Relocation of Conflicting Utilities by Owners**

The working days allowed shall include 5 working days for access to a portion of the construction site by the affected utility companies to perform utility relocation work. No on-site work by the County's Contractor will be allowed in the utility relocation areas unless specifically agreed to by both the utility company and the County's Engineer. The Utility company days are anticipated to not be sequential, and will be assigned by the



Resident Engineer in coordination with the scheduling needs of the affected utility companies.

Full compensation for the provisions of this Special Provision shall be considered as included in the various items of work, and no additional compensation will be allowed therefore.

**Item 14: Clarification – Inspector Overtime Fees.** Refer to section 00-1.03(A), Modified Hours of Work, of the Special Provisions.

The Contractor will not be responsible for covering the cost of the Engineer/Inspector premium inspection costs for the work performed on Saturdays and Sundays during the 30 day road full closure.

#### **MODIFICATIONS / CLARIFICATIONS TO THE PLANS**

**Item 15: Plan sheet revisions.** The following Plan sheets are revised by Attachment “C” and made a part hereof

- a. Delete and replace the following six (6) plan sheets:
  1. Plan sheet 2 of 16
  2. Plan sheet 3 of 16
  3. Plan sheet 4 of 16
  4. Plan sheet 5 of 16
  5. Plan sheet 10 of 16
  6. Plan Sheet 11 of 16

**Note:** All revised plan sheets are posted on the County website and are available for download during the advertisement period.

<http://rctlma.org/trans/Contractors-Corner/Notices-Inviting-Bids>

This addendum has been prepared under the direction of the following registered Civil Engineer(s):

  
\_\_\_\_\_  
Kendall S. Zirkel, PE



Recommended by:

  
\_\_\_\_\_  
Scott Staley, PE  
County Project Manager

Concurrence:

  
\_\_\_\_\_  
Khalid Nasim, PE  
Engineering Division Manager

Acknowledged: \_\_\_\_\_ Date: \_\_\_\_\_  
(Contractor)

JRJ:jrj:rr

Note: Refer to Instruction to Bidders Item No. 8, "Addenda". Submission of all addendum pages and non-bidding document attachments of addendum are not necessary for Bid submittal. Submittal of this acknowledgement page is adequate for Bid reception. Bidders are reminded to list addendum number(s) received on the first page of the Bid form (Proposal)

## **ATTACHMENTS**

**A – Revised Proposal**

**B – EMWD Special Provisions and Standard Drawings**

**C – Revised Plans**

**Gilman Springs Road**  
**Improve Horizontal and Vertical Alignments**  
**And Other Roadway Safety Features**  
**0.5 Mile Segment Approximately 1,000-feet Westerly of Soboba Road; and**  
**Traffic Signal at the Intersection of Soboba Road**  
**Project No. C4-0079, C5-0065**  
**Federal Aid No. HSIPL-5956(237)**

**PROPOSAL**

ITEM No.	ITEM CODE	ITEM	UNIT	Like Bid Item*	ESTIMATED QUANTITY	ITEM PRICE (IN FIGURES)	TOTAL (IN FIGURES)
<b>BASE BID SCHEDULE 1: GILMAN SPRINGS ROAD CURVE REALIGNMENT PROJECT</b>							
1	760090	MOBILIZATION, DEMOBILIZATION AND FINAL CLEANUP	LS		1		
2	170101	DEVELOP WATER SUPPLY	LS		1		
3	066102	DUST ABATEMENT	LS		1		
4	074020	WATER POLLUTION CONTROL	LS		1		
5	120100	TRAFFIC CONTROL SYSTEM	LS		1		
6	128651	PORTABLE CHANGEABLE MESSAGE SIGN	EA		6		
7	150605	REMOVE FENCE	LF		175		
8	160102	CLEARING AND GRUBBING	LS		1		
9	190101(F)	ROADWAY EXCAVATION	CY	Like 1	7,000		
10	198010(F)	IMPORTED BORROW	CY		2,100		
11	390137	RUBBERIZED HOT MIX ASPHALT (GAP GRADED)	TON	Like 2	1,400		
12	390130	HOT MIX ASPHALT	TON	Like 3	2,700		
13	260203	CLASS 2 AGGREGATE BASE	CY	Like 4	2,300		
14	394073	PLACE HOT MIX ASPHALT DIKE (TYPE A)	LF		2,150		
15	394074	PLACE HOT MIX ASPHALT DIKE (TYPE C)	LF		130		
16	840656	PAINT TRAFFIC STRIPE (2-COAT)	LF	Like 5	8,000		
17	850111	PAVEMENT MARKER (RETROREFLECTIVE)	EA	Like 6	220		
18	152386	RELOCATE ROADSIDE SIGN-ONE POST	EA	Like 7	9		
19	566011	ROADSIDE SIGN - ONE POST	EA		30		
20	832005	MIDWEST GUARDRAIL SYSTEM	LF	Like 8	2,800		
21	820107	DELINEATOR (CLASS 1)	EA		130		
22	839585	ALTERNATIVE FLARED TERMINAL SYSTEM	EA	Like 9	8		
23	150809	REMOVE CULVERT	LF		45		
24	650034	48" REINFORCED CONCRETE PIPE	LF		71		

Addendum No. 2, Page 9 of 30

\* NOTE: See Instructions to Bidders, Section 15 "Like Bid Items", on page A8; corrections will apply if Like Bid items cost discrepancies are submitted.

**PROPOSAL**

ITEM No.	ITEM CODE	ITEM	UNIT	Like Bid Item*	ESTIMATED QUANTITY	ITEM PRICE (IN FIGURES)	TOTAL (IN FIGURES)
----------	-----------	------	------	----------------	--------------------	-------------------------	--------------------

**BASE BID SCHEDULE 1: GILMAN SPRINGS ROAD CURVE REALIGNMENT PROJECT**

25	510502	MINOR CONCRETE (MINOR STRUCTURE) [HEADWALLS AND WINGWALLS]	CY		60		
26	520101	BAR REINFORCING STEEL [HEADWALL AND WINGWALLS]	LB		5,480		
27	510526	MINOR CONCRETE (BACKFILL)	CY		25		
28	151512	RECONSTRUCT INLET (CALTRANS STD D74B TYPE GDO)	EA		2		
29	721026	ROCK SLOPE PROTECTION (BACKING NO. 1, METHOD B)	CY		200		
30	729011	ROCK SLOPE PROTECTION FABRIC (CLASS 8)	SQYD		300		
31	066201	EROSION CONTROL (HYDROSEED)	ACRE		4		
32	394090	PLACE HOT MIX ASPHALT (MISCELLANEOUS AREA) [OVERSIDE DRAIN]	SQYD		20		
33	010601	OBTAIN ENCROACHMENT PERMIT	LS		1		
34	731507	MINOR CONCRETE (GUTTER DEPRESSION) (CALTRANS STD D78C)	CY		5		
35	000003	INSTALL PIPE SWING GATE (RCFC&WD M820)	EA		2		
36	141000	TEMPORARY FENCE (TYPE ESA)	LF		3,000		
37	120165	CHANNELIZER (SURFACE MOUNTED)	EA		8		
37.A	000003	ADJUST TO GRADE EXISTING FIRE HYDRANT (PER EMWD STD B-365), ONE LOCATION, STA 10+30	EA		1		
37.B	000003	INSTALL GUARDS AND MARKER POSTS (PER EMWD STD B-665), TWO LOCATIONS, STA 17+20 AND STA 33+90	EA		2		

Addendum No. 2, Page 10 of 36

BASE BID  
SCHEDULE 1

TOTAL: \_\_\_\_\_ \$ \_\_\_\_\_

ITEMS 1-37.B "WORDS"

\* NOTE: See Instructions to Bidders, Section 15 "Like Bid Items", on page A8; corrections will apply if Like Bid items cost discrepancies are submitted.

**PROPOSAL**

ITEM No.	ITEM CODE	ITEM	UNIT	Like Bid Item*	ESTIMATED QUANTITY	ITEM PRICE (IN FIGURES)	TOTAL (IN FIGURES)
<b>BASE BID SCHEDULE 2: GILMAN SPRINGS ROAD AND SOBOBA ROAD TRAFFIC SIGNAL PROJECT</b>							
38	190101 (F)	ROADWAY EXCAVATION	CY	Like 1	175		
39	390137	RUBBERIZED HOT MIX ASPHALT (GAP GRADED)	TON	Like 2	40		
40	039013	HOT MIX ASPHALT	TON	Like 3	60		
41	260201	CLASS 2 AGGREGATE BASE	CY	Like 4	40		
42	840656	PAINT TRAFFIC STRIPE (2-COAT)	LF	Like 5	6,600		
43	850111	PAVEMENT MARKER (RETROREFLECTIVE)	EA	Like 6	220		
44	152386	RELOCATE ROADSIDE SIGN-ONE POST	EA	Like 7	2		
45	832005	MIDWEST GUARDRAIL SYSTEM	LF	Like 8	500		
46	839585	ALTERNATIVE FLARED TERMINAL SYSTEM	EA	Like 9	1		
47	066102	DUST ABATEMENT	LS		1		
48	120100	TRAFFIC CONTROL SYSTEM	LS		1		
49	074020	WATER POLLUTION CONTROL	LS		1		
50	170101	DEVELOP WATER SUPPLY	LS		1		
51	160101	CLEARING AND GRUBBING	LS		1		
52	150662	REMOVE METAL BEAM GUARD RAILING	LF		450		
53	197010 (F)	PLACE AND COMPACT EMBANKMENT	CY		1,100		
54	394090	PLACE ASPHALT CONCRETE (MISCELLANEOUS AREA) [AC RAMP TRANSITIONS, 3" HMA PAVED AREA]	SQYD		200		
55	017306	MINOR CONCRETE (CURB RAMP) (CRS 403)	EA		3		
56	731623	MINOR CONCRETE (CURB RAMP) [CASE CM PER CALTRANS RSP A88B]	EA		2		
57	731521	MINOR CONCRETE (SIDEWALK)	SQFT		350		
58	017309	MINOR CONCRETE (TYPE "D" CURB) (CRS 204)	LF		50		
59	017304	MINOR CONCRETE (CURB AND GUTTER) (CRS 200)	LF		15		
60	731516	MINOR CONCRETE (DRIVEWAY)	SQFT		825		
61	839514	HANDRAILING [APWA STD 606-3, TYPE B]	LF		40		
62	833077	PEDESTRIAN BARRICADE	EA		1		
63	013902	ASPHALT CONCRETE OVERSIDE DRAIN (CRS 306)	EA		1		
64	720000	ROCK SLOPE PROTECTION	CY		15		
65	665024	24" CORRUGATED STEEL PIPE (.109" THICK)	LF		8		

Addendum No. 2, Page 11 of 36

\* NOTE: See Instructions to Bidders, Section 15 "Like Bid Items", on page A8; corrections will apply if Like Bid items cost discrepancies are submitted.

**PROPOSAL**

ITEM No.	ITEM CODE	ITEM	UNIT	Like Bid Item*	ESTIMATED QUANTITY	ITEM PRICE (IN FIGURES)	TOTAL (IN FIGURES)
<b>BASE BID SCHEDULE 2: GILMAN SPRINGS ROAD AND SOBOBA ROAD TRAFFIC SIGNAL PROJECT</b>							
66	839584	ALTERNATIVE IN-LINE TERMINAL SYSTEM	EA		2		
67	000003	CONSTRUCT MGS CONNECTION TO BRIDGE RAILING [NOTE 37]	EA		1		
68	860201	SIGNAL AND LIGHTING	LS		1		
69	840515	THERMOPLASTIC PAVEMENT MARKING	SQFT		700		
70	150710	REMOVE TRAFFIC STRIPE	LF		6,600		
71	150715	REMOVE THERMOPLASTIC PAVEMENT MARKING	SQFT		900		
72	150742	REMOVE (AND SALVAGE) ROADSIDE SIGN (AND POST)	EA		11		
73	566012	ROADSIDE SIGN - TWO POST	EA		2		
74	562004	METAL (RAIL MOUNTED SIGN)	EA		2		
75	568001	INSTALL SIGN (STRAP AND SADDLE BRACKET METHOD)	EA		1		
76	015602	FUNDING AWARENESS SIGN	EA		2		
77	760090	MOBILIZATION, DEMOBILIZATION AND FINAL CLEANUP	LS		1		
78	010602	MISCELLANEOUS WORK (AS DIRECTED)	FA		1	\$ 50,000.00	\$ 50,000.00

BASE BID  
SCHEDULE 2

TOTAL: \_\_\_\_\_ \$ \_\_\_\_\_

ITEMS 38-78 "WORDS"

**BASE BID SCHEDULE 1 AND BASE BID SCHEDULE 2**

PROJECT

TOTAL: \_\_\_\_\_ \$ \_\_\_\_\_

ITEMS 1-78 "WORDS"

\* NOTE: See Instructions to Bidders, Section 15 "Like Bid Items", on page A8; corrections will apply if Like Bid items cost discrepancies are submitted.



Riverside County  
Perris, California

**GILMAN SPRINGS RD. WATER FACILITIES ADJUSTMENT**

Work Order #

**A PUBLIC WORKS PROJECT**

**Contents:**

Specifications | Conditions of Contract

Paul D. Jones, II, P.E. - General Manager

*Safety is of paramount and overriding importance to  
Eastern Municipal Water District*



## TABLE OF CONTENTS

### BIDDING REQUIREMENTS

00027 Bidder's Experience Record & Resumes *(submit with bid)*  
*(If requested, these documents should be submitted to the County within 5 business days of request.)*

PAGE  
BR-1 thru -2

### SPECIAL CONDITIONS

00100 Special Conditions

PAGE  
SC-1 thru SC-3

### CONTRACT DRAWINGS

00200 Section P Standard & Construction Drawings (list)

P-1 thru P-2

### EMWD DETAILED PROVISIONS

EMWD General Conditions are hereby attached by reference: See following website: <http://www.emwd.org/construction/capital-improvement-project-standards/emwd-standard-detailed-provisions> to download.

02221 Trenching, Backfilling, and Compacting  
09900 Painting and Protective Coatings

1 thru 10  
1 thru 28

### APPENDICES

EMWD Appendix "A", Approved Materials List is hereby attached by reference: See following website:

<http://www.emwd.org/home/showdocument?id=756> to download

Appendix A Approved Materials List  
Appendix B Vicinity Map

1 thru 50

Addednum No. 2, Page 14 of 30  
ISSUED BY ADDENDUM No. 2, ATTACHMENT "B", Page 2 of 12

**EASTERN MUNICIPAL WATER DISTRICT  
Gilman Springs Rd. Water Facilities Adjustment**

**SECTION SC - SPECIAL CONDITIONS  
SPECIAL PROVISIONS**

**SC-01. Location of Contract Work Site.** The contract work site is located at Sublette Rd. & Gilman Springs Rd. in the City of San Jacinto. Refer to vicinity map and location map in back of these specifications.

**SC-02. Scope of Work.** Under these Specifications the Contractor shall adjust to grade one (1) existing fire hydrant, adjust the valve covers to grade, install marker post, and all other items necessary for the completion of the work; including, but not limited to: pressure testing and bacteriological testing. All work shall be performed in accordance with these specifications and the contract drawings, complete and in place.

**SC-03. Construction Period and Requirements.** The contract time is dependent on the County of Riverside's construction schedule. **The following documents shall be accepted by the District prior to any construction:**

- A. Insurance Certificate(s)
- B. Injury and Illness Prevention Program
- C. EN-84: Specific Operating Safety Procedure (see section 01000)

Before any work of any subcontractor is started, the Contractor shall submit a copy of each subcontract to the District (see Section F-General Conditions, F-17, Subcontracts, d.Contract Provisions)

**SC-04. Additional Insured.** The Contractor shall include Eastern Municipal Water District (EMWD) as additional insured as part of this contract

**SC-05. Or Equal Substitutions.** Products of manufacturers listed as equals to those specified must be submitted for review and approval by the District not later than the tenth (10th) day preceding the date for receipt of bids.

**SC-06. Reference to District's Standard Drawings and Detailed Provisions.** Any and all referenced Standard Drawings and Detailed Provisions shall be considered part of the contract drawings and specifications. All referenced Standard Drawings and Detailed Provisions of the District are available from the District upon request. The Contractor shall not be entitled to any compensation due to referenced documents not included in the Specifications and Contract Drawings.

**SC-07. Shutdown Requirements, Work Restrictions, Ground Water Dewatering, and Coordination with EMWD Operations.** Contractor shall coordinate the shutdown operation of existing systems with the District, to include EMWD's Inspector, and Operations and Maintenance personnel shall be contacted. No work shall be performed without two (2) weeks prior notice followed by forty-eight (48) hour prior and twenty-four (24) hour confirmation notices to the District. No work shall be done without a District representative present.

1. Only EMWD Operations personnel will be allowed to operate existing valves for water system shut-downs and placing water system(s) back in operation.
2. Contractor shall protect existing water pipelines from contamination during connection/tie in or disconnection procedures.
3. Contractor shall disinfect all pipeline tie-in closure materials and the existing pipeline(s) at tie-in points per AWWA Section C-651.
4. Contractor shall complete all dewatering excavation, removal of existing pipeline, installation of new pipeline, trench backfill, disinfection, testing and connections or disconnection to existing system. EMWD strongly encourage the contractor to find construction means and methods that will shorten the interruption of service to customers and businesses. All costs associated with tie-ins or disconnections shall be included in the bid and no additional compensation will be allowed.

**SC-08. Compliance with Storm Water Regulations (NPDES) for Discharge of Storm Water Runoff Associated with Construction Activity Order No. 2009-0009 DWQ (NPDES General Permit No. CAS000002).** Construction projects under 1 acre do not require coverage under the General Permit or preparation of a Storm Water Pollution Protection Plan (SWPPP), but will require Best Management Practices (BMPs) to control and reduce discharges of pollutants associated with construction into storm drains and receiving waters. The contractor shall prepare, implement and maintain a BMP Plan showing location and type of BMPs to be implemented for the project. The contractor shall alter the plan, implementation and maintenance as necessary for the duration of the project.

**SC-09. Preconstruction Conference.** An onsite briefing with EMWD's construction and safety inspector is required prior to the start of work, which may include shutdown schedule, inspection, chlorination, or as necessary for the completion of work. Please contact Clara Lotton @ (951) 928-3777 extension 4372 to schedule the onsite briefing with the inspector.

**SC-10. Data to be Submitted by Contractor.** As soon as practicable, and consistent with the schedule of construction, the Contractor shall submit the following data to EMWD for approval. All materials supplied shall be in accordance with EMWD's approved manufacturers' list. Submittals shall be provided prior to purchase and installation. Contractor shall refer to specific Divisions and Technical Specifications for additional submittal requirements.

Prior to beginning construction, Contractor shall submit emergency phone numbers for the construction superintendent, construction foreman, and all company principals.

After receipt of such data, EMWD shall give early approval or correction to expedite the execution of the work under this Contract. For the first original submittal, the Contractor shall allow for 10 days for the EMWD's Engineer to review from date of receipt. The second submittal, if required, will take 5 days for EMWD's Engineer to review from date of receipt.

The EMWD's approval of the Contractor's submittal data shall not relieve the Contractor from having the entire responsibility for the correctness of details and dimensions. The Contractor shall assume all responsibility and risk for misfits due to any errors in the Contractor's submittal data.

**SC-11. Operation of Existing Facilities.** Contractor shall not operate any existing facilities, including opening or closing of existing pipeline valves, appurtenances and electrical equipment. If required, Contractor shall be fully responsible for coordinating activities that require operation of District or other agencies facilities

**SC-12. Painting of Appurtenances.** The contractor shall paint or re-paint all new, existing, adjusted to grades and relocated appurtenances associated with this work per EMWD Standards and painting requirements

**Full compensation for conforming to the requirements of this special condition, not otherwise provided for, shall be considered as included in the prices paid for the various contract items of work involved, and no additional compensation will be allowed therefore.**

**EASTERN MUNICIPAL WATER DISTRICT  
GILMAN SPRINGS RD. ADJUSTMENT OF WATER APPURTENANCES**

**SECTION P - CONTRACT DRAWINGS**

**P-01. General.** The location of the work, its general nature and extent, the outline of the land owned or controlled by the District and the form and general dimensions of the facilities (i.e. pipelines, appurtenances, etc.) are as shown on the drawings attached and made a part of this Specification as listed below.

**P-02. Standard Drawings.**

Standard Drawings are hereby attached by reference: See following website: <http://www.emwd.org/construction/developer-project-help-desk/engineering-standards-specifications-and-drawings/water-standard-drawings> to download.

<u>Drawing Number</u>	<u>Drawing Title</u>
B-286B	Trench Backfill
B-665	Guard and Marker Posts
B-668	Valve Cap & Riser Detail
B-356	6" x 2 - 2 1/2" x 1 - 4" Fire Hydrant Installation (Steel Pipe)

**P-03. Construction Drawings.**

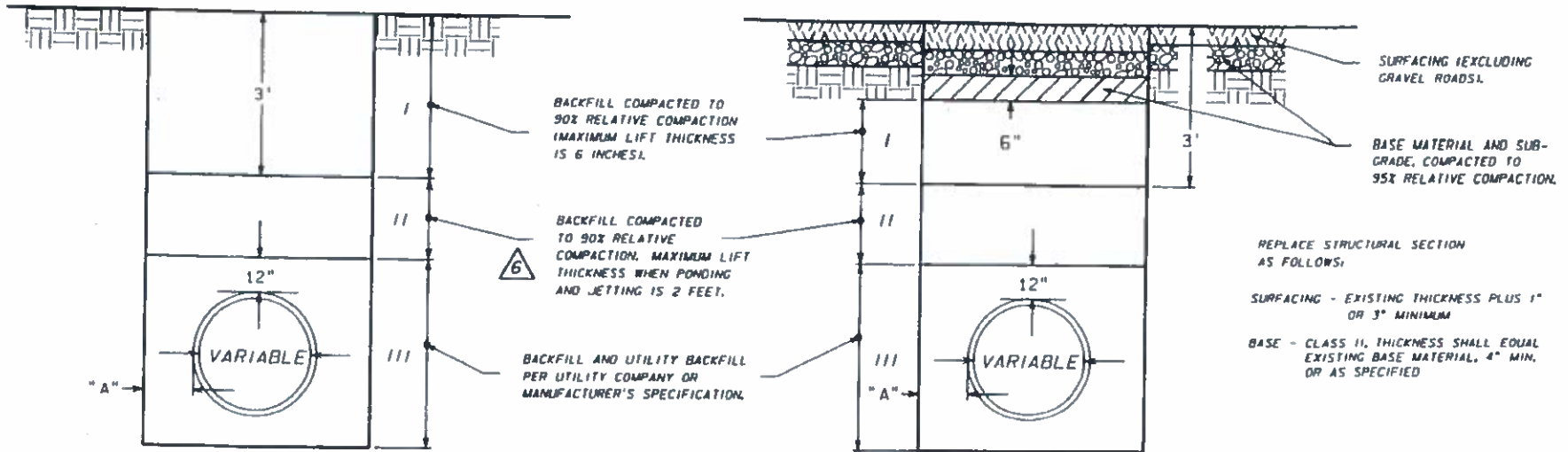
<u>Drawing Number</u>	<u>Drawing Title</u>
-----------------------	----------------------

Refer to Riverside County Project - Gilman Springs Rd. Improvement Plans  
(Reference Only)

Addednum No. 2, Page 18 of 30  
ISSUED BY ADDENDUM No. 2, ATTACHMENT "B", Page 6 of 12

UNSURFACED MEDIANS,  
ROADSIDE STRIPS,  
& EASEMENTS

UNSURFACED ROADWAYS,  
AND SURFACED STREETS  
& EASEMENTS



CLEARANCE "A"

1. PIPE SIZES THROUGH 12" : "A" = 6" - 9"
2. PIPE SIZES OVER 12" : "A" = 1' - 0" MIN.

- I. STRUCTURAL ZONE
- II. INTERMEDIATE ZONE
- III. PIPE AND UTILITY ZONE

NOTE: WHEN A FIRM FOUNDATION IS NOT ENCOUNTERED, DUE TO SOFT, SPONGY, OR OTHER UNSUITABLE MATERIAL, SUCH MATERIAL SHALL BE REMOVED TO THE LIMITS DIRECTED BY THE ENGINEER, AND THE RESULTING EXCAVATION BACKFILLED WITH PIPE BEDDING MATERIAL COMPACTED TO 90% RELATIVE COMPACTION.

REVISIONS				APPROVALS			
NO.	DATE	INITIAL	DESCRIPTION	APP'D	DATE	INITIAL	DATE
1	7/3/98	KER	REVISED TO INCLUDE ALL PREVIOUS REVISIONS	<i>[Signature]</i>	12/29/94	JRW	12/29/94
2	9/25/03	CM	REVISED COMPACTION REQUIREMENT			JRW	12/30/94

REFERENCES: REFERENCE SA-40B  
FILE I.D.: \\nlogra\apl\eng\std\dras\B286b.dgn

SCALE: NTS  
DRAWN BY: JJW

RECOMMENDED: *Joseph D. Van Sickle* 12/29/94  
DATE: 12/29/94

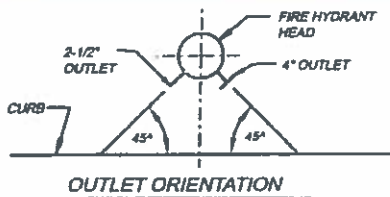


EASTERN MUNICIPAL WATER DISTRICT  
STANDARD DRAWING

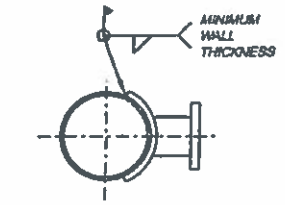
TRENCH BACKFILL

APPROVED: *C. Hoyle Ruggs* 12/30/94  
DATE: 12/30/94  
ASST. GENERAL MANAGER, ENGINEERING

B-286B



OUTLET ORIENTATION

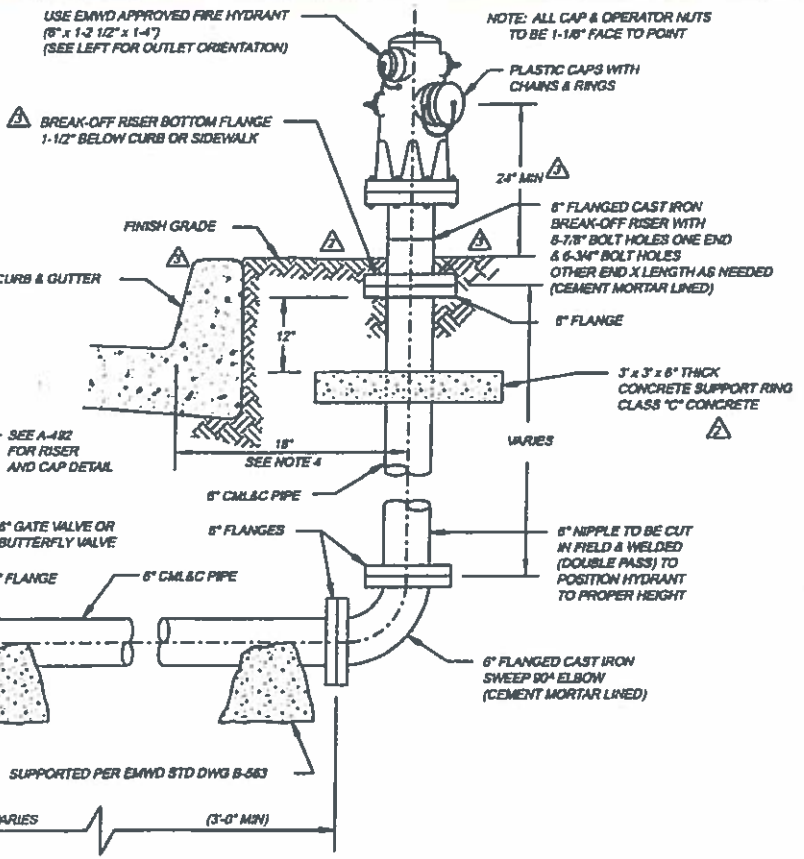


USE 6" FLANGED SADDLE OUTLET FOR INSTALLATION ON 12" OR LARGER PIPELINE



USE CAST IRON TEE FOR INSTALLATION ON 6" OR 8" PIPELINE

PIPELINE INSTALLATION



FIRE HYDRANT ASSEMBLY

GENERAL NOTES

1. PAINTS:  
HYDRANT TOPS AND NOZZLE CAPS, 1500 gpm OR GREATER, TO BE LIGHT BLUE.  
HYDRANT TOPS AND NOZZLE CAPS, 1000 gpm TO 1499 gpm, TO BE GREEN.  
HYDRANT TOPS AND NOZZLE CAPS, 500 gpm TO 999 gpm, TO BE ORANGE.  
HYDRANT TOPS AND NOZZLE CAPS, LESS THAN 500 gpm, TO BE RED.
2. ALL FLANGES SHALL BE FULL WELDED (DOUBLE PASSES) AND COATED IN THE FIELD AS DIRECTED BY ENGINEER PER NOTE 3.
3. ALTERNATE MATERIALS MAY BE USED WHEN SPECIFIED.
4. FIRE HYDRANT LOCATIONS:  
A. FIRE HYDRANT SHALL BE PLACED  
1. 1'-6" BEHIND CURB FACE WHEN WIDTH OF SIDEWALK IS 8' OR WIDER.  
2. 1'-6" BEHIND CURB FACE WHEN WIDTH OF SIDEWALK IS 6' WIDE.  
3. 7'-6" BEHIND CURB FACE WHEN THERE IS NO SIDEWALK.  
B. 1'-6" WITHIN ROAD RIGHT-OF-WAY WHEN NO CURBS OR SIDEWALKS ARE PROPOSED.  
C. FIRE HYDRANT TO BE 1' BACK FROM INTERSECTION OF SIDEWALK WITH CORNER APPROX.  
D. AT OTHER THAN STREET INTERSECTIONS FIRE HYDRANTS TO BE ON LOT LINES.
5. FIELD COATING FOR EXPOSED PIPE SHALL BE PER EMWD SPECS AND APPROVED MATERIALS.
6. A MINIMUM 3 FT CLEAR SPACE SHALL BE MAINTAINED AROUND THE CIRCUMFERENCE OF THE FIRE HYDRANT.

RIVERSIDE COUNTY STANDARD FIRE HYDRANT

EASTERN MUNICIPAL WATER DISTRICT  
STANDARD DRAWING

6" x 1-2 1/2" x 1-4" FIRE HYDRANT  
INSTALLATION—STEEL PIPE



EASTERN MUNICIPAL  
WATER DISTRICT

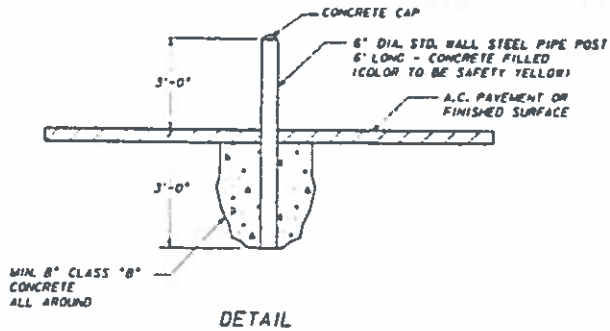
REVISIONS				APPROVALS			
NO.	DATE	INITIAL	DESCRIPTION	APP'D	DATE	INITIAL	DATE
1	4/1/93		REDRAWN BY CADD ON MYLAR	URB	7/2/93		
2	5/18/00	GR	REV NOTES 1,4,ADD CONC SUPPORTS DIMS	URB	5/22/00		
3	10/2/01	RE	REVISED FH, DIMENSION, GRADE & BREAK-OFF NOTES	URB	10/10/01		

REFERENCES: ORIG DRAWN BY McM 5/83  
FILE I.D.: KAUMENGINEERINGSTDWNG

SCALE: NONE  
DRAWN BY

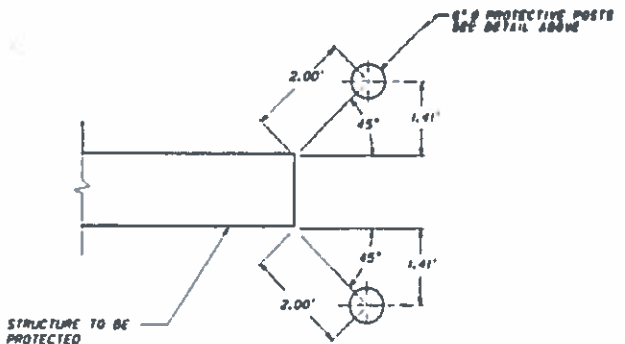
ADDENDUM No. 2 Page 20 of 30

APPROVED *C. Noelle Ruggs* 7/2/93  
B-356



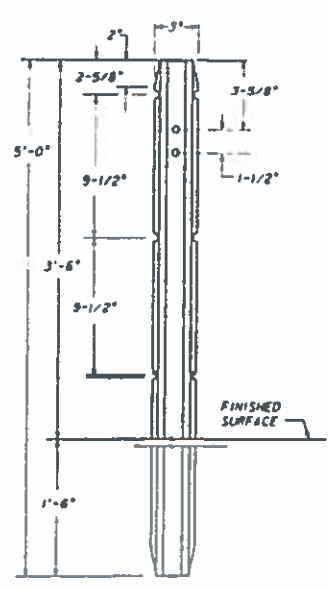
MIN. 8" CLASS "B"  
CONCRETE  
ALL AROUND

DETAIL



STRUCTURE TO BE  
PROTECTED

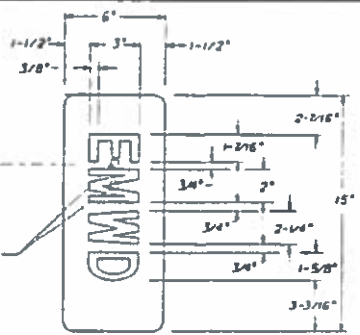
TYPICAL PLAN LOCATION  
GUARD POSTS



FRONT



SIDE



SIGN



TOP

NOTES:

1. POST MATERIAL, 2.0 LBS PER FOOT; FINISH ON POST, GALVANIZED.
2. SIGN MATERIAL, .062 ALUMINUM TO BE PAINTED WHITE WITH BLACK LETTERS.
3. SIGN TO BE PRE-PUNCHED FOR BOLT HOLES TO MATCH THOSE IN POST.
4. POST CAN BE DRIVEN.
5. SIGN TO BE ATTACHED WITH 2 - 3"x1/8" BOLT & NUT AFTER INSTALLATION OF POST.

5 FOOT STEEL MARKER POST

REVISIONS				APPROVALS			
NO.	DATE	INITIAL	DESCRIPTION	APPD.	DATE	INITIAL	DATE
1	8/1/97	CRD	COMBINED A-498 AND A-504 REDRAWN IN CAD	WTT	12-19-00		
REFERENCES: SUPERCEDES A-498 & A-504				SCALE: NONE		RECOMMENDED	
FILE: D:\d_standar\665.dgn				DRAWN BY: CRD		APPROVED: <i>[Signature]</i> 12/19/00	



EASTERN MUNICIPAL WATER DISTRICT  
STANDARD DRAWING

GUARD AND MARKER POSTS

APPROVED: *[Signature]* 12/19/00