

**SUBMITTAL TO THE BOARD OF SUPERVISORS  
COUNTY OF RIVERSIDE, STATE OF CALIFORNIA**



**ITEM: 12.1  
(ID # 13031)**

**MEETING DATE:**  
Tuesday, August 25, 2020

**FROM:** DEPARTMENT OF WASTE RESOURCES:

**SUBJECT:** DEPARTMENT OF WASTE RESOURCES: Contract Change Order No.1 for the Construction of Groundwater Monitoring Wells at the Closed Highgrove Landfill, District 2. [\$47,165 Total – Department of Waste Resources Enterprise Funds] (Nothing Further Required under CEQA)

**RECOMMENDED MOTION:** That the Board of Supervisors:

1. Approve Contract Change Order No.1 (CCO No.1) in the amount of \$47,165 to the Contract with Contractor for construction of three additional groundwater monitoring wells, and authorize the Chairman of the Board to execute it on behalf of the County.

**ACTION:** Change Order, Policy

  
Hans Keinkamp, General Manager - Chief Engineer 7/20/2020

---

**MINUTES OF THE BOARD OF SUPERVISORS**

On motion of Supervisor Spiegel, seconded by Supervisor Hewitt and duly carried, IT WAS ORDERED that the above matter is approved as recommended.

Ayes: Spiegel, Washington, Perez and Hewitt  
Nays: None  
Absent: Jeffries  
Date: August 25, 2020  
xc: Waste Resources

Kecia R. Harper  
Clerk of the Board

By:   
Deputy

**SUBMITTAL TO THE BOARD OF SUPERVISORS COUNTY OF RIVERSIDE,  
STATE OF CALIFORNIA**

<b>FINANCIAL DATA</b>	<b>Current Fiscal Year:</b>	<b>Next Fiscal Year:</b>	<b>Total Cost:</b>	<b>Ongoing Cost</b>
<b>COST</b>	\$ 47,165	\$ 0	\$ 47,165	\$ 0
<b>NET COUNTY COST</b>	\$ 0	\$ 0	\$ 0	\$ 0
<b>SOURCE OF FUNDS:</b> Waste Resources Enterprise Funds			<b>Budget Adjustment:</b>	No
			<b>For Fiscal Year:</b>	20/21

**C.E.O. RECOMMENDATION:** Approve

**BACKGROUND:**

**Summary**

The closed Highgrove Landfill is under the regulatory oversight of the California Regional Water Quality Control Board – Santa Ana Region (CRWQCB). Pursuant to the California Code of Regulations Title 22, Section 20420, the CRWQCB requires the Department to implement a new evaluation monitoring program. To implement this program, the Department needs to construct new groundwater monitoring wells. A C-57 California Contractor's License, which the Department does not have, is required to construct groundwater monitoring wells.

The Board approved the Department to advertise the project on February 11, 2020. The Board approved the Department to award the project contract to the low bidder, ABC Liovin Drilling, Inc., on May 5, 2020, in the amount of \$203,030.

In a letter dated May 5, 2020, the CRWQCB requested that the Department add three additional groundwater monitoring wells to the new evaluation monitoring program. To maintain compliance with the CRWQCB's request, the Department is required to add three additional groundwater monitoring wells to the new evaluation monitoring program.

ABC Liovin Drilling, Inc. is currently under contract to install 11 groundwater monitoring wells for the new evaluation monitoring program. The Department negotiated with ABC Liovin Drilling, Inc. to construct three additional groundwater monitoring wells at the same unit rates as the May 5, 2020 contract award. In addition, the wellhead protection monuments details for three wells in the original contract documents has changed.

The additional scope of work and corresponding cost is detailed in the Contract Change Order (CCO) No. 1 (Attachment B). CCO No. 1 with ABC Liovin Drilling, Inc. is an amount of \$47,165 and will increase the original contract amount from \$203,030 to 250,195.

**Prev. Agn. Ref.:** M.O. 12.1 of 2/11/2020

**California Environmental Quality Act (CEQA) Findings**

On February 11, 2020, as item 12.1, the Board of Supervisors approved contract documents for groundwater monitoring well construction at the closed Highgrove landfill. As such, a Notice of



**SUBMITTAL TO THE BOARD OF SUPERVISORS COUNTY OF RIVERSIDE,  
STATE OF CALIFORNIA**

Exemption (NOE) was filed, identifying that the Project was exempt from CEQA pursuant to the State CEQA Guidelines Section 15061(b)(3) (General Rule for Exemption), and categorically exempt from CEQA pursuant to Section 15301 (Existing Facilities), Section 15303 (New Construction or Conversion of Small Structure), and Section 15304 (Minor Alterations of Land). The 35-day statute of limitations for review and comment has expired, with no comments or challenges to the NOE received. Since the proposed motion in this Form-11 simply involves the award of a contract change order to complete the same type of work and in the same locale already assessed under the NOE, nothing further is required under CEQA.

**Impact on Residents and Businesses**

The CCO No. 1 ensures that the closed Highgrove Landfill maintains compliance with environmental regulations enforced by the CRWQCB.

**Additional Fiscal Information**

This project is budgeted in Fund 40200, Department ID – 4500100000.

**Contract History and Price Reasonableness**

This is a public works construction contract. Due to the competitive bid process, and also based on recent similar projects, Department staff believes that the original bid amount was reasonable and the same unit rates from the bid were utilized to determine the amount of CCO No. 1.

**ATTACHMENTS:**

- ATTACHMENT A. Change Order Report**
- ATTACHMENT B. Contract Change Order No.1**



Jason Farin, Principal Management Analyst 8/17/2020



Gregory H. Priamos, Director County Counsel 8/1/2020

## Attachment A

**ATTACHMENT A. CHANGE ORDER REPORT**

<b>NUMBER</b>	<b>AMOUNT</b>	<b>PERCENT</b>	<b>DESCRIPTION</b>
Original Contract	\$203,030		
CCO No. 1	\$47,165	23%	Add three additional groundwater monitoring wells, per the request of the California Regional Water Quality Control Board.
New total contract cost	\$250,195	23%	

## Attachment B



RIVERSIDE COUNTY DEPARTMENT OF WASTE RESOURCES

Project: Groundwater Monitoring Well Construction at the Closed Highgrove Landfill  
Sheet 1 of 3

CONTRACT CHANGE ORDER NO. 1

To: ABC Liovin Drilling, Inc., Contractor, you are hereby directed to make the herein described changes from the plans and specifications or to do the following described work not included in the plans and specifications.

NOTE: THIS CHANGE ORDER IS NOT EFFECTIVE UNTIL APPROVED BY THE GENERAL MANAGER-CHIEF ENGINEER OF THE DEPARTMENT OF WASTE RESOURCES AND THE BOARD OF SUPERVISORS OF RIVERSIDE COUNTY.

Description of work to be done, estimate of quantities, and prices to be paid. Unless otherwise stated, rates for rental of equipment cover only such time as equipment is actually used and no allowance will be made for idle time. Change requested by Riverside County:

The Santa Ana Regional Water Quality Control Board (Regional Board), state agency with regulatory oversight for the Closed Highgrove Landfill, requested that three additional groundwater monitoring wells be constructed by the Riverside County Department of Waste Resources (DWR), in a letter dated May 5, 2020. In order for the DWR to maintain compliance with the Regional Board, the DWR has added three additional groundwater monitoring wells to the contract scope of work, via the subject Contract Change Order No. 1. In addition, the DWR has modified the original contract scope of work to account for negotiations with the Riverside County Flood Control and Water Conservation District (a future property owner where constructed groundwater monitoring wells will be located).

Change order scope of work:

1. Construct three groundwater monitoring wells.
2. Develop three groundwater monitoring wells.
3. Construct three above ground well head protection structures instead of the originally bid three at grade vaults.

The three additional well locations are shown on Attachment No. 1 – Well Location Map. The additional groundwater monitoring wells are identified at HG-46, HG-47 and HG-48. The Department shall specify the exact well location in the field at the time of drilling. The construction details for the three additional groundwater monitoring wells are provided in Attachment No. 2 – Groundwater Well Details.

Cost: Decrease - \$ 0 or Increase \$ 47,165

By reason of this order the time of completion will be adjusted as follows: Add Fifteen (15) Calendar Days

Submitted by: \_\_\_\_\_

Date: \_\_\_\_\_

Approved by: \_\_\_\_\_

Date: 7/21/2020

General Manager-Chief Engineer  
Department of Waste Resources

V. M. Lopez  
Chairman, Board of Supervisors

Date: AUG 25 2020

ATTEST:  
KECIA R. HARPER, Clerk  
By [Signature]  
DEPUTY

We, the undersigned Contractor, have given careful consideration to the change proposed and hereby agree, if this proposal is approved, that we will provide all equipment, furnish all materials, except as may be otherwise noted above, and perform all services necessary for the work above specified, and will accept as full payment therefore the prices shown above.

Accepted: \_\_\_\_\_ Date: 7/20/2020  
By: Ivan Liovin

Contractor: ABC Liovin Drilling, Inc  
Title: President

If the Contractor does not sign acceptance of this order, his attention is directed to the requirements of the specifications as to the proceeding with the ordered work and filing a written protest within the time therein specified.

FORM APPROVED COUNTY COUNSEL  
BY [Signature] 7/25/2020  
KRISTINE BELL-VALDEZ DATE

AUG 25 2020 12.1



RIVERSIDE COUNTY DEPARTMENT OF WASTE RESOURCES

Project: Groundwater Monitoring Well Construction at the Closed Highgrove Landfill  
Sheet 2 of 3

CONTRACT CHANGE ORDER NO. 1

To: ABC Liovin Drilling, Inc., Contractor, you are hereby directed to make the herein described changes from the plans and specifications or to do the following described work not included in the plans and specifications.

NOTE: THIS CHANGE ORDER IS NOT EFFECTIVE UNTIL APPROVED BY THE GENERAL MANAGER-CHIEF ENGINEER OF THE DEPARTMENT OF WASTE RESOURCES AND THE BOARD OF SUPERVISORS OF RIVERSIDE COUNTY.

Description of work to be done, estimate of quantities, and prices to be paid. Unless otherwise stated, rates for rental of equipment cover only such time as equipment is actually used and no allowance will be made for idle time. Change requested by Riverside County:

The Time of Completion for the project shall be increased for each well as follows:

- HG-46 – 5 calendar days
- HG-47 – 5 calendar days
- HG-48 – 5 calendar days

Wells HG-46 and HG-47 shall be completed with Phase 1. Thus the Time of Completion for Phase 1 shall be increased by 10 calendar days.

HG-48 is tentatively scheduled to be completed with Phase 2. The schedule for HG-48 depends on the DWR obtaining a right-of-way permit. The DWR shall notify the Contractor in writing of the Phase that HG-48 shall be added to, and the time of completion for that Phase shall be increased by 5 calendar days.

The construction specifications for the construction of Above Ground Well Protection were provided in the original Project Special Conditions. Wells HG-40, HG-41, HG-42 and HG-43 shall be constructed with an Above Ground Well Protection structure.

Contract Documents for the project are unchanged, except for the quantity changes and additional workdays specified in the subject Contract Change Order No. 1. The subject Contract Change Order No. 1 is estimated to increase the total contract amount by \$47,165. Refer to Attachment No. 3 and No. 4 for the change in

Estimated Cost: Decrease - \$ 0 or Increase \$ 47,165

By reason of this order the time of completion will be adjusted as follows: Add Fifteen (15) Calendar Days

Submitted by: \_\_\_\_\_ Date: \_\_\_\_\_

Approved by: [Signature] Date: 7/21/2020

General Manager-Chief Engineer  
Waste Management Department

[Signature]  
Chairman, Board of Supervisors

Date: \_\_\_\_\_

Date: 7/21/2020

Date: AUG 25 2020

ATTEST:  
KECIA R. HARPER, Clerk  
By [Signature] DEPUTY

We, the undersigned Contractor, have given careful consideration to the change proposed and hereby agree, if this proposal is approved, that we will provide all equipment, furnish all materials, except as may be otherwise noted above, and perform all services necessary for the work above specified, and will accept as full payment therefore the prices shown above.

Accepted: \_\_\_\_\_ Date: 7/20/2020 Contractor: ABC Liovin Drilling, Inc  
By: Ivan Liovin Title: President

If the Contractor does not sign acceptance of this order, his attention is directed to the requirements of the specifications as to the proceeding with the ordered work and filing a written protest within the time therein specified.



RIVERSIDE COUNTY DEPARTMENT OF WASTE RESOURCES

Project: Groundwater Monitoring Well Construction at the Closed Highgrove Landfill  
Sheet 3 of 3

CONTRACT CHANGE ORDER NO. 1

To: ABC Liovin Drilling, Inc., Contractor, you are hereby directed to make the herein described changes from the plans and specifications or to do the following described work not included in the plans and specifications.

NOTE: THIS CHANGE ORDER IS NOT EFFECTIVE UNTIL APPROVED BY THE GENERAL MANAGER-CHIEF ENGINEER OF THE DEPARTMENT OF WASTE RESOURCES AND THE BOARD OF SUPERVISORS OF RIVERSIDE COUNTY.

Description of work to be done, estimate of quantities, and prices to be paid. Unless otherwise stated, rates for rental of equipment cover only such time as equipment is actually used and no allowance will be made for idle time. Change requested by Riverside County:

quantities and corresponding cost increase/decrease for the project contract. All other terms and conditions of the Contract Documents shall remain unchanged. As specified in the Contract Document, the Contractor shall be paid for the actual quantity of work constructed/completed.

Attachments:

- Attachment No. 1 – Well Location Map
- Attachment No. 2 – Groundwater Well Details
- Attachment No. 3 – Phase 1 Cost Summary
- Attachment No. 4 – Phase 2 Cost Summary

Estimated Cost: Decrease - \$ 0 or Increase \$ 47,165

By reason of this order the time of completion will be adjusted as follows: Add Fifteen (15) Calendar Days

Submitted by: \_\_\_\_\_ Date: \_\_\_\_\_

Approved by: [Signature] Date: 7/21/2020  
 General Manager-Chief Engineer  
 Waste Management Department

[Signature] Date: AUG 25 2020  
 Chairman, Board of Supervisors

ATTEST: [Signature] DEPUTY  
 KECIA R. HARPER, Clerk

We, the undersigned Contractor, have given careful consideration to the change proposed and hereby agree, if this proposal is approved, that we will provide all equipment, furnish all materials, except as may be otherwise noted above, and perform all services necessary for the work above specified, and will accept as full payment therefore the prices shown above.

Accepted: Date: 7/20/2020 Contractor: ABC Liovin Drilling, Inc.  
By: Ivan Liovin Title: President

If the Contractor does not sign acceptance of this order, his attention is directed to the requirements of the specifications as to the proceeding with the ordered work and filing a written protest within the time therein specified.

# Attachment No. 1



**Phase 1**  
Proposed Groundwater Well  
Location Map

HG-45

HG-47

HG-44

HG-46

HG-48

Pigeon Pass Rd

High Grove Dump Rd



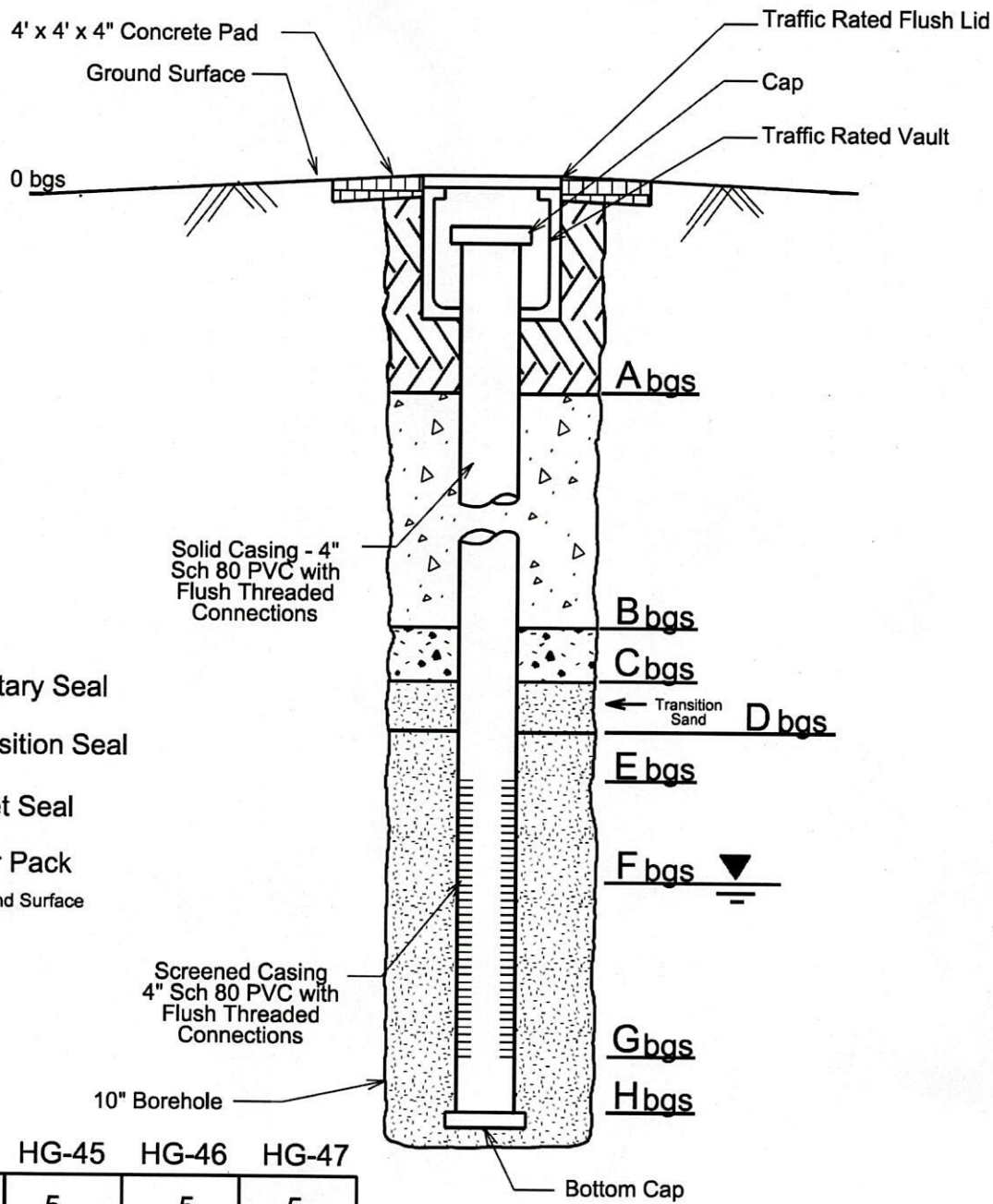
Google Earth





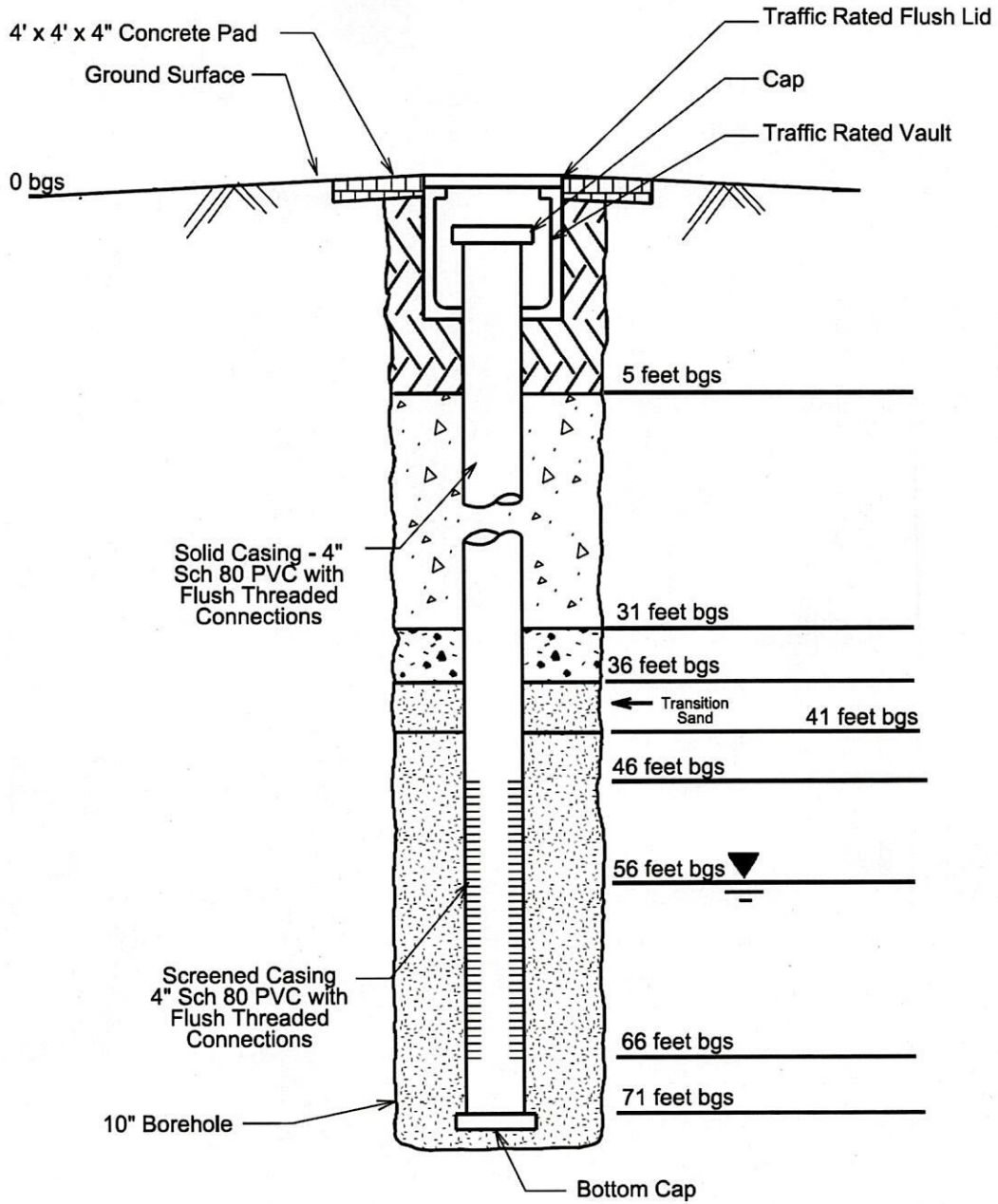
# Attachment No. 2


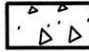






	HG-44	HG-45	HG-46	HG-47
A bgs	5	5	5	5
B bgs	70	70	41	45
C bgs	75	75	46	50
D bgs	80	80	51	55
E bgs	85	85	56	60
F bgs	95	95	66	70
G bgs	105	105	76	80
H bgs	110	110	81	85

Figure 01 - Phase 1 Groundwater Well Details: HG-44 and HG-47



-  Sanitary Seal
-  Transition Seal
-  Pellet Seal
-  Filter Pack

bgs: Below Ground Surface

Not to Scale

Figure 01 - Well Detail for HG-48



# Attachment No. 3

**Attachment No. 3 - Phase 1 Cost Summary**

Item No.	Description	HG-44 Qty	HG-45 Qty	HG-46 Qty	HG-47 Qty	Total Quantity	Unit	Unit Cost	Item Cost
1	Mobilization Phase I						LS	\$ -	\$ -
2	Borehole Drilling and Sampling at Highgrove			81	85	166	LF	\$ 70.00	\$ 11,620.00
3	Install well screen			20	20	40	LF	\$ 20.00	\$ 800.00
4	Install well casing			61	65	126	LF	\$ 15.00	\$ 1,890.00
5	Install filter pack			30	30	60	LF	\$ 25.00	\$ 1,500.00
6	Install transition sand			5	5	10	LF	\$ 35.00	\$ 350.00
7	Install pellet annular seal			5	5	10	LF	\$ 100.00	\$ 1,000.00
8	Install transition seal			36	40	76	LF	\$ 25.00	\$ 1,900.00
9	Install sanitary seal			5	5	10	LF	\$ 20.00	\$ 200.00
10	Install at grade vault well head protection			1	1	2	EA	\$ 1,500.00	\$ 3,000.00
11	Well development			8	8	16	HR	\$ 350.00	\$ 5,600.00
12	Drill rig standby			2	2	4	HR	\$ 450.00	\$ 1,800.00
13	Rock clause drilling			2	2	4	HR	\$ 450.00	\$ 1,800.00
								<b>Total Cost</b>	<b>\$ 31,460.00</b>

**Notes:**

Original quantities are only specified where a change in quantity resulted.



# Attachment No. 4

**Attachment No. 4 - Phase 2 Cost Summary**

Item No.	Description	HG-40 Qty	HG-41 Qty	HG-42 Qty	HG-48 Qty	Total Quantity	Unit	Unit Cost	Item Cost
1	Mobilization to Highgrove - HG-48				1	1	LS	\$ 2,000.00	\$ 2,000.00
2	Borehole Drilling and Sampling at Highgrove				71	71	LF	\$ 70.00	\$ 4,970.00
3	Install well screen				20	20	LF	\$ 20.00	\$ 400.00
4	Install well casing				54	54	LF	\$ 15.00	\$ 810.00
5	Install filter pack				30	30	LF	\$ 25.00	\$ 750.00
6	Install transition sand				5	5	LF	\$ 35.00	\$ 175.00
7	Install pellet annular seal				5	5	LF	\$ 100.00	\$ 500.00
8	Install transition seal				26	26	LF	\$ 25.00	\$ 650.00
9	Install sanitary seal				5	5	LF	\$ 20.00	\$ 100.00
10	Install at grade vault well head protection	4	4	4	1	1	EA	\$ 1,500.00	\$ 1,500.00
10a	Install above ground well head protection	1	1	1	0	3	EA	\$ (250.00)	\$ (750.00)
11	Well development				8	8	HR	\$ 350.00	\$ 2,800.00
12	Drill rig standby				2	2	HR	\$ 450.00	\$ 900.00
13	Rock clause drilling				2	2	HR	\$ 450.00	\$ 900.00
14	Demobilization Highgrove - Phase 2					0	LS	\$ -	\$ -
								<b>Total Cost</b>	<b>\$ 15,705.00</b>

**Notes:**

Original quantities are only specified where a change in quantity resulted.

HG-48 is tentatively scheduled to be completed with Phase 2 but may be moved to Phase 1 or Phase 3 depending on right of row permitting.

HG-40, 41 and 42 will be constructed with above ground well head protection instead of at grade vault well head protection as was the original bid.